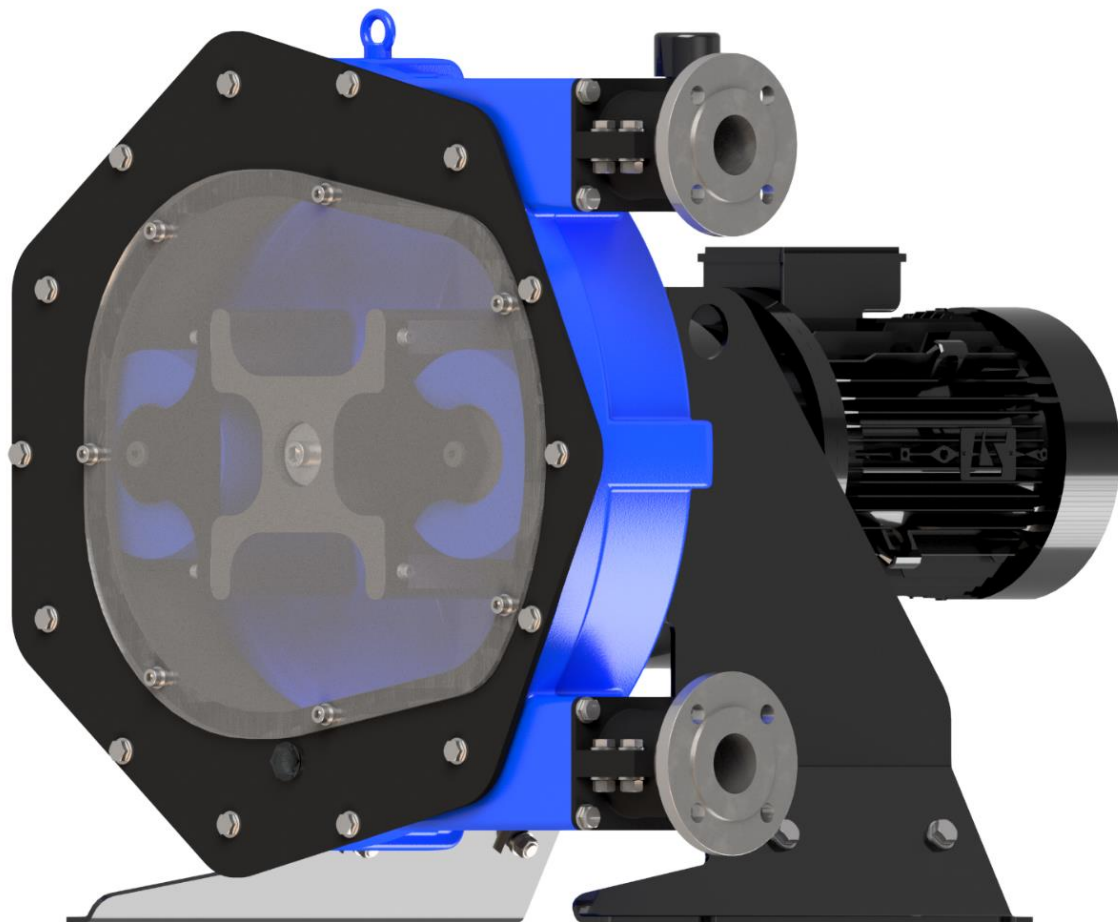


# PeriBest I43 I55

## MANUAL

**PERIBEST**  
pumps



## Disclaimer

All rights reserved.

The information provided herein may not be reproduced and/or published in any form, by print, photoprint, microfilm or any other means whatsoever (electronically or mechanically) without the prior written authorisation of PeriBest Pumps S.L.

The information provided can be changed without prior notification. PeriBest Pumps S.L. or one of its representatives cannot be held liable for possible damage resulting from use of this manual. This is an extensive limitation of the liability which applies to all damage, inclusive of (without limitation) compensating, direct, indirect or consequential damage, loss of data, income or profit, loss or damage to possessions and claims of third parties.

PeriBest Pumps S.L. provides the information in this manual "as is" and does not take any responsibility and does not give any guarantee on this manual or its content.

PeriBest Pumps S.L. rejects all responsibilities and guarantees. Furthermore, does not take responsibility for and does not guarantee that the information in this manual is accurate, complete or up to date.

Names, trade names, brands, etc. used by PeriBest Pumps S.L. may not, as per the legislation concerning the protection of trade names, be considered as available.

These operating instructions do not take in consideration local regulations; the operator must ensure that such regulations are strictly observed by all, including the personnel called in for installation.

# Contents

- Disclaimer .....2
- Contents.....3
- Safety information.....5
  - Symbols.....5
  - Pump use .....5
  - Responsibility.....5
  - Qualification of the user .....6
  - Regulations and instructions .....6
- Safety instructions.....7
- Warranty conditions.....9
- Description.....10
  - Identification of the pump .....10
  - Pump construction .....11
  - Pump Hose .....11
  - Lubricant.....13
  - Gear Box.....13
  - Electric motor .....13
  - Accessories .....13
- Transport, storage and elevation .....14
  - Transport .....14
  - Storage.....14
  - Elevation .....14
- Installation.....15
  - Unpacking and Inspection .....15
  - Conditions of use.....15
  - Set-up .....15
  - Piping .....15
  - Maximum connection loads.....16
- Comissioning .....17






- Testing prior to commissioning the pump .....17
- Maintenance.....18
  - General.....18
  - Maintenance schedule .....18
  - Cleaning hose.....19
  - Changing lubricant .....19
  - Replacing hose .....19
    - Removing pump hose .....19
    - Fitting pump hose.....20
- Troubleshooting .....21
- Specifications .....23
- Spare parts.....24
- EC Declaration.....27

## Safety information

### Symbols

In this manual the following symbols are used:

	<p><b>WARNING</b> Procedures which, if not carried out with the necessary care, may result in serious damage to the hose pump or in serious bodily harm.</p>
	<p><b>CAUTION</b> Procedures which, if not carried out with the necessary care, may result in serious damage to the hose pump, the surrounding area or the environment.</p>
	<p>Remarks, suggestions and advice.</p>

### Pump use

The hose pump is exclusively designed for pumping suitable products. Every other or further use is not in conformance with the intended use.


The "Intended use" as laid down in EN-ISO-12100 is "... the use for which the technical product is intended in accordance with the specifications of the manufacturer, inclusive of his indications in the sales brochure". In case of doubt it is the use which appears to be its intended use judging from the construction, execution and function of the product. Observing the instructions in the user's documentation also belongs to intended use.

Only use the pump in conformance with the intended use described above. The manufacturer cannot be held responsible for damage or harm resulting from use that is not in conformance with the intended use. If you want to change the application of your hose pump, contact your PeriBest representative first.

### Responsibility

The manufacturer does not accept any responsibility for damage or harm caused by not (strictly) observing the safety regulations and instructions in this manual and the also supplied documentation, or by negligence during installation, use, maintenance and repair of the hose pumps mentioned on the front cover. Depending on the specific working conditions or accessories used, additional safety instructions can be required.

Immediately contact your PeriBest representative, if you noticed a potential danger while using your hose pump.

	<p><b>WARNING</b></p> <p>The user of the hose pump is always fully responsible for observing the local valid safety regulations and directives. Observe these safety regulations and directives when using the hose pump.</p>
---	---

## Qualification of the user

The installation use and maintenance of the hose pump should only be performed by well-trained and qualified users. Temporary staff and persons in training may use the hose pump only under the supervision and responsibility of trained and qualified users.

## Regulations and instructions

- Everyone who works with the hose pump must be aware of the contents of this manual and observe the instructions with great care.
- Never change the order of the actions to be carried out.
- Always store the manual near the hose pump.

## Safety instructions



### Live parts

- The device must be disconnected from the power supply before it is opened
- Isolate damaged faulty or manipulated devices from the mains in order to de-energise.



### Emergency stop switch

An emergency stop switch is to be connected for the entire plant. This should enable the entire plant to be shut down in the event of an emergency in such a way that the overall plant can be brought into a safe condition.



### Unauthorized access

Ensure that there can be no unauthorized access to the unit.



### Hazardous media/contamination of persons and equipment

- Ensure that the pump hoses are resistant against the media being conveyed
- Always observe the safety data sheets for the media to be conveyed. The system operator must ensure that these safety data sheets are available and that they are kept up-to-date.
- The safety data sheets for the media being conveyed are always decisive for initiating countermeasures in the event of leakage to the media being conveyed.
- Observe the general restrictions in relation to viscosity limits, chemical resistance and density.
- Always switch the pump off before exchanging the pump hose
- In case of corrosive liquids or high temperature liquids, is necessary to control the leakage using hose leakage sensor or other external devices.



### Correct and proper use

- The unit is not intended to convey or regulate gases or solid media
- Do not exceed the rated pressure, speed or temperature for the pump
- The unit may only be used in accordance with the technical data and specifications provided in these operating instructions and in the operating instructions for the individual components
- The system is not designed for use in areas of risk from explosion
- Only switch the pump on if it has been properly fastened to the floor
- Only switch the pump on if it the front cover has been attached.

- Do not carry out any maintenance operations or dismantle the pump without first making sure that the pipes are not under pressure and are empty or isolated.
- As the peristaltic pump is volumetric and its functioning is positive displacement, it is necessary to prevent a possible overload of pressure, due to for example, the accidental closure of a valve. For this reason it is advisable to fit a safety device such as: a safety valve, pressure limiter, etc.

#### Operational lifetime of the pump hoses


**CAUTION**

The operational lifetime of the pump hoses cannot be precisely specified. For this reason, the possibility of fracture and consequential leakage of liquids must be accounted for. If the hose leakage sensor (optional) is fitted, then the pump can be stopped and / or an electrical valve can be actuated.

In addition, as the hose has an indeterminate life and due to the possibility of its breakage or deterioration, the user is responsible for the prevention of a possible (although most unlikely) incorporation of particles from the hose into the product being pumped. This can be achieved e.g. by means of filtration, a hose rupture alarm or other means suitable for the respective process

#### CIP cleaning


**CAUTION**

In the event of CIP cleaning, it is necessary to obtain information from the manufacturer about correct installation of the pump as well as regarding the compatibility of the cleaning agents with the pump hoses and the hydraulic connections.

Cleaning should be undertaken at the recommended maximum temperature.

#### Direction of rotation/flow direction



The pump's direction of rotation in relation to the desired flow direction must be checked prior to every start.

#### Disconnect the pump from the mains



You may only carry out work on the pump after it has previously been switched off and disconnected from the mains.

#### Environmental influences


**CAUTION**

- The device is not suitable for outdoor operation
- Take suitable measures to protect the device from environmental influences such as UV rays, moisture, frost, etc.



## Warranty conditions

The manufacturer offers a two-year warranty on all parts of the hose pump. This means that all parts will be repaired or replaced free of charge, with the exception of consumables, such as pump hoses, rollers, ball bearings, and seals, or parts which have been misused or have been intentionally damaged.

If parts are used that are not PeriBest Pumps S.L. (hereafter called PeriBest) parts, every warranty becomes void.

Damaged parts which are covered by the applicable warranty conditions can be returned to the manufacturer. The parts must be accompanied by a fully filled in and signed safety form. The safety form must be applied to the outside of the shipping carton. Parts which have been contaminated or which have been corroded by chemicals or other substances which can pose a health risk, must be cleaned before they are returned to the manufacturer. Furthermore, it should be indicated on the safety form which specific cleaning procedure has been followed, and it should be indicated that the equipment has been decontaminated. The safety form is required at all items, even if the parts have not been used.

Warranties purporting to be on behalf of PeriBest, made by any person, including representatives of PeriBest, its subsidiaries, or its distributors, which do not accord with the terms of this warranty shall not be binding upon PeriBest unless expressly approved in writing by a Director or Manager of PeriBest.

## Description

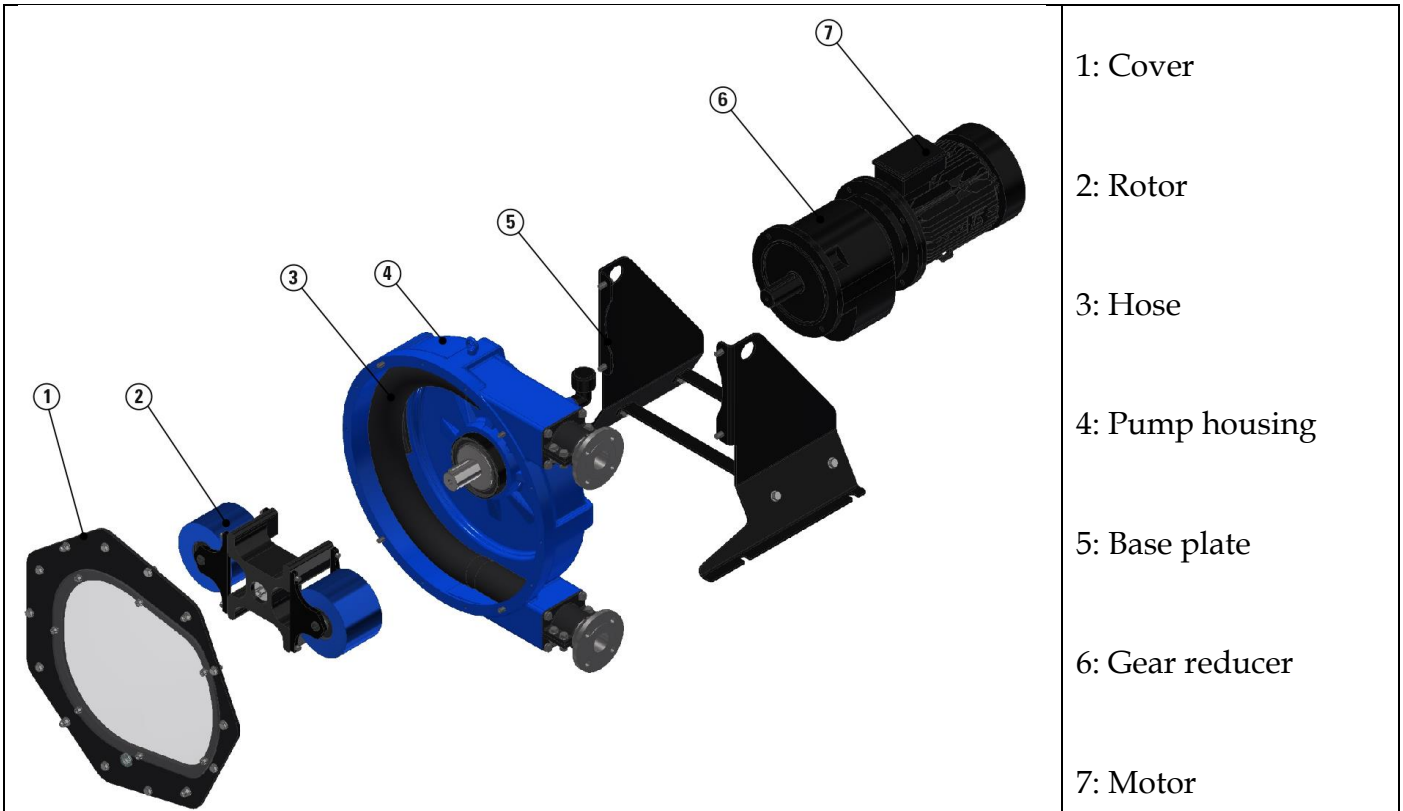
### Identification of the pump

PeriBest pumps are identifiable by a smart NFC label located on top of the pump. On the label you can find the serial number, and a NFC device and QR code, that allow to access to all information about the pump through a mobile device.

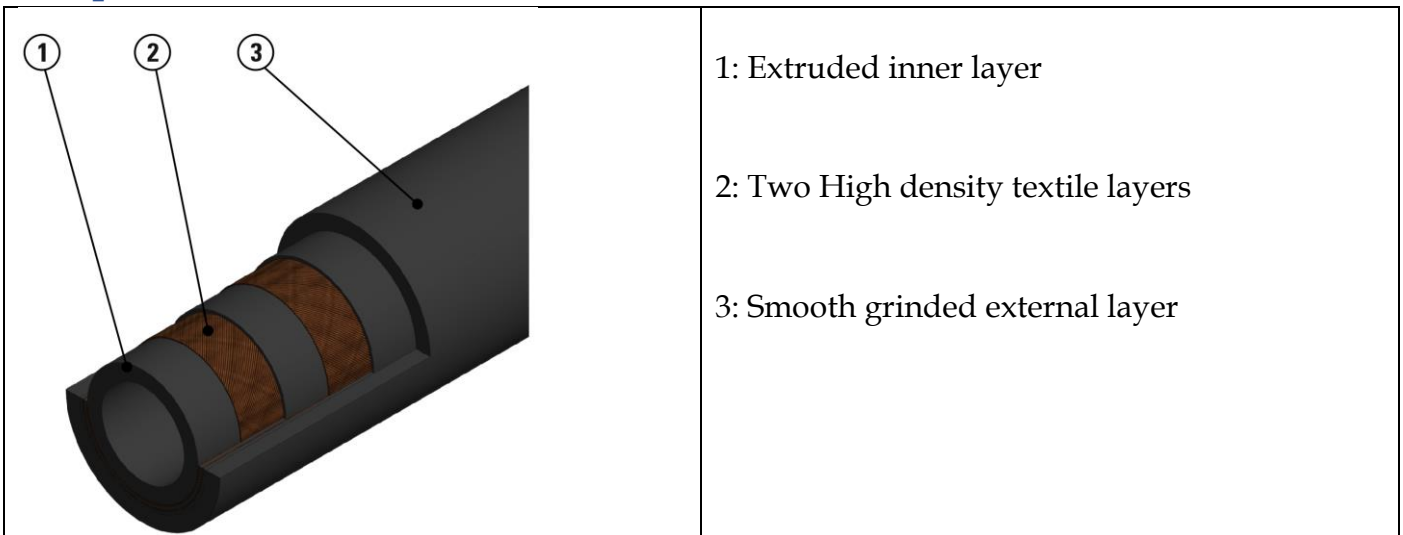


The gear box and motor includes their own plate with identification number.

## Pump construction



## Pump Hose




The pump hose liner material should be chemically resistant with the product to be pumped. Dependent on the specific requirements of your application a corresponding pump hose must be selected. For each pump model various hose types are available. The material of the inner liner of the pump hose determines the hose type. Each hose type is marked by a unique colour code.

Hose type	Material	Colour code
NR	Natural Rubber	Red
NBR	Nitrile Rubber	White
EPDM	EPDM	Blue

The PeriBest pump hoses have been carefully machined, therefore there are minimum tolerances in wall thickness. It is very important to guarantee the correct compression of the pump hose, because:

- When the compression is too high, it creates a too high load of the pump and pump hose, which may result in a reduction of the life of the pump hose and bearings.
- When the compression is too low, this will result in loss of yield and backflow. Backflow results in a reduction of the life of the pump hose.

<p>In order to achieve optimal life of the pump hose, the compression force of the pump hose can be adjusted by placing several shims under the pressing rollers.</p> <p>The shims are fitted between the rotor and the pressing roller.</p> <p>The number of shims will vary for each counterpressure situation.</p>	
---	---

The number of shims needed to each model are:

I43

	250 kPa	500 kPa	750 kPa	1000 kPa
0-30 rpm	3	4	5	6
+30 rpm	3	4	5	--

I55

	250 kPa	500 kPa	750 kPa	1000 kPa
0-30 rpm	3	4	5	6
+30 rpm	3	4	5	--

### Lubricant

The pump housing is filled with low level of lubricant (glycerine). The rollers don't generate friction (heat), so the pump only needs a little bit of lubricant to optimize the hose life. The quantities of lubricant needed are:

Pump model	Quantity of lubricant (liters)
I43	1,0
I55	1,8

### Gear Box

The pump model I43, uses helical gear reducer. The lubrication of these gear reducers is for life and are totally free of maintenance.

The pump model I55, uses inline helical gear reducer. The lubrication of these gear reducers is with syntetic oil. For details about type of oil and oil change intervals, please refer to gear reducer manual.

### Electric motor

The motors supplied are standard IEC motors with B5 flange.

### Accessories

The following accessories are available for each pump:

- Level float switch to detect the hose rupture.
- Pulsation dampers
- Revolution counter

## Transport, storage and elevation

### Transport

The pump is protected by a wooden box. All packing materials are recyclable.

The pump may be transported on storage position with one roller unassembled. Check before operate the pump.

### Storage

The pump should be in a resting position. (One roller is unassembled, and the hose should not be compressed).

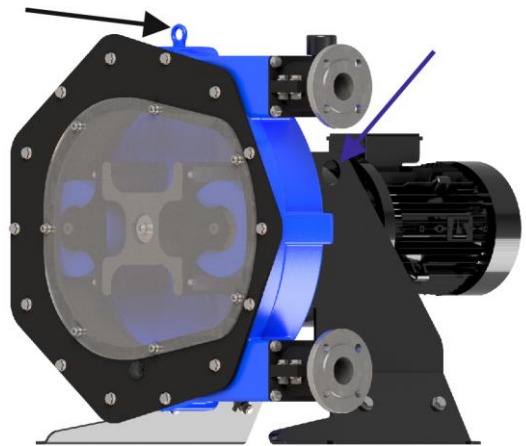
Avoid areas open to harsh weather or excessive humidity.

For storage periods of longer than 60 days, protect the coupling surfaces (clamps, reducers, motors) with adequate anti-oxidant products.

Spare hoses should be stored in a dry place away from direct light.

### Elevation

For lifting and moving the pump head, it has been fitted with a lifting strip. This lifting strip is fitted on the top of the pump head and on both sides of base plate.



#### WARNING

If the pump is to be lifted ensure that all standard lifting practices are adhered to and carried out by qualified personnel only.

## Installation

### Unpacking and Inspection

When unpacking carefully follow the instructions as given on the packaging or on the hose pump. Check that your delivery is correct and check it for any transport damage. Report any damage immediately to your PeriBest representative.

### Conditions of use

Make sure that the hose pump is in an area where the ambient temperature during operation is not lower than -20 °C and not higher than +45 °C.

### Set-up

The pump materials and protective layers are suitable for indoor set-up and a protected outdoor set-up. Under certain conditions the pump is suitable for limited outdoor set-up or a salty or aggressive atmosphere. Consult your PeriBest representative for more information.

Make sure that the floor surface is horizontal and has a maximum slope of 5 mm per metre.

Make sure that there is sufficient room around the pump to carry out the necessary maintenance activities.

Make sure that the room is sufficiently ventilated, so that the heat developed by the pump and drive can be discharged. Keep some distance between the ventilation cover of the electric motor and wall to enable the supply of necessary cooling air.

### Piping

When determining and connecting suction and discharge lines consider the following points:

- The bore size of the suction and discharge lines must be larger than the bore size of the pump hose. For more information consult your PeriBest representative.
- Limit the presence of sharp bends in the discharge line. Make sure that the radius of the bent discharge line is as large as possible. It is recommended to use Y-connections instead of T-connections.
- It is recommended to use flexible hose in the suction or discharge line.
- Keep the delivery and suction lines as short and direct as possible.
- Select the correct mounting material for flexible hoses and make sure that the installation is suited for the design pressure of the system.
- Prevent any possibilities of exceeding the maximum working pressure of the hose pump.

**OVERPRESSURE**

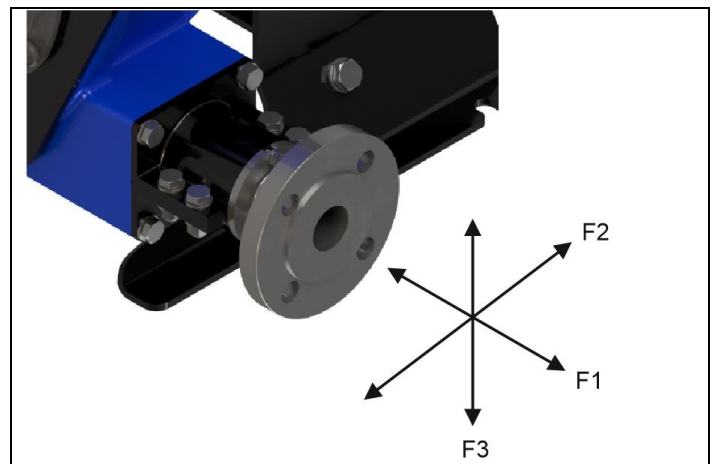


Consider the maximum permissible working pressure on the discharge Side. Exceeding the maximum working pressure may lead to serious damage to the pump.

**Maximum connection loads**

Make sure that the maximum forces on the connections are not exceeded:

	I43	I55
F1	1000 N	1400 N
F2	300 N	300 N
F3	500 N	700 N





## Comissioning

### Testing prior to commissioning the pump

- Ensure that the pump has not been damaged during transportation or storage. Immediately report any damage to the supplier.
- Check that the mains voltage is suitable for the motor.
- Ensure that the hose is suitable for the fluid to be conveyed and that it is not damaged.
- Make sure that the temperature of the liquid does not exceed the recommended temperature range.
- Only switch the pump on if the front cover has been properly attached.
- Check that the rollers are correctly fitted and fastened.
- Check that the pump and drive has the correct level of lubricant.
- Check that the thermal overload protection (not included in the delivery scope) corresponds to the value specified on the motor type plate.
- Check whether the direction of rotation is correctly adjusted.
- Check that the optional electrical components are connected and are working properly.
- Install a manometer in the pressure line if the back-pressure value is unknown.
- Check the operating instructions in order to ensure that the flow values, pressures and power consumption of the motor do not exceed the rated values.
- Install a pressure relief valve in the pressure line in order to protect the pump in the event that a valve is unintentionally closed off or the line is blocked in another way.

# Maintenance

## General



**WARNING**

Disconnect the pump from the mains.  
 You may only carry out work on the pump after it has previously been switched off and disconnected from the mains.  
 In case the motor is fitted with a frequency controller and has a single-phase power supply, wait two minutes to make sure that the capacitors have discharged.



**WARNING**

Use only original PeriBest parts when maintaining the pump. PeriBest cannot correct operation and any consequential damage that occurs from the use of non-original PeriBest components.

## Maintenance schedule

The following maintenance scheme shows the maintenance and periodic inspections that need to be carried out on the hose pump to guarantee an optimal safety, operation and life of the pump.

Point	Action	Frequency
1	Check the lubricant level.	Before start-up of the pump and on a scheduled interval during operation.
2	Check the pump head for any leakage of lubricant around the cover, the flanges and the rear of the pump head.	Before start-up of the pump and on a scheduled interval during operation.
3	Check the gearbox on any leakage.	Before start-up of the pump and on a scheduled interval during operation.
4	Check pump for deviating temperature or strange noises.	On a scheduled interval during operation.
5	Check pressing rollers for excessive damage.	When replacing the hose.
6	Internal cleaning of the hose.	Cleaning of the system or product change.
7	Replacing hose.	Preventive, this means after 75% of the hose life of the first hose.

8	Changing lubricant.	After every 2nd hose change or after 5,000 service hours, whichever comes first or after hose rupture.
9	Replacing pressing rollers.	Wear on the running surface.
10	Replacing bearings.	If necessary.

### Cleaning hose

The inside of the pump hose can be easily cleaned by rinsing the pump with clean water. If a cleaning fluid is added to the water, check if the hose material is resistant to it. Also check if the pump hose can resist the cleaning temperature.

### Changing lubricant

Place a tray under the drain plug on the rear of the pump. Remove the drain plug. Drain the lubricant from the pump housing into the tray. Replace the drain plug and tighten it firmly.

The pump housing can be filled with lubricant via the breather or via plastic cover. For this purpose remove the breather cap or the plastic cover and pour the lubricant into the pump housing.

Keep on pouring until the lubricant level has risen above the level line in the lubricant level window installed at the bottom of the front cover.

### Replacing hose

#### Removing pump hose

1. Close off all valves, in order to prevent leakage of the feed chemical
2. Dismantle the pipes from both discharge and suction sides
3. Remove the front cover
4. Remove a roller (the roller that is not touching the pump hose)
5. Mount the front cover
6. Turn the rotor 1/2 revolution with the help of the motor so that the remaining roller is not pressing against the pump hose
7. Dismount the front cover

8. Remove the press flange and connections from the pump housing
9. Remove the pump hose to be exchanged

### **Fitting pump hose**

1. Clean the interior surfaces of the pump housing
2. Check the rollers. Ensure that the roller surfaces are not damaged
3. Fit the hose into the pump casing
4. Fit the connections into the hose
5. Fasten the press flange and the connections to the pump casing, tightening progressive the bolts in clock wise (1, 2, 3, 4, 1, 2, 3, 4, etc...), until the flange becomes totally tighten.
6. Replace the front cover
7. Turn the rotor  $\frac{1}{2}$  revolution with the help of the motor so that the remaining roller presses against the pump hose
8. Remove the front cover
9. Fit the second roller into the pump rotor
10. Fill the lubricant until the lubricant level has risen above the level line in the lubricant level window installed at the bottom of the front cover.
11. Replace and tighten the front cover to the pump housing
13. Mount the pipes from both discharge and suction sides
14. Open all of the valves

## Troubleshooting

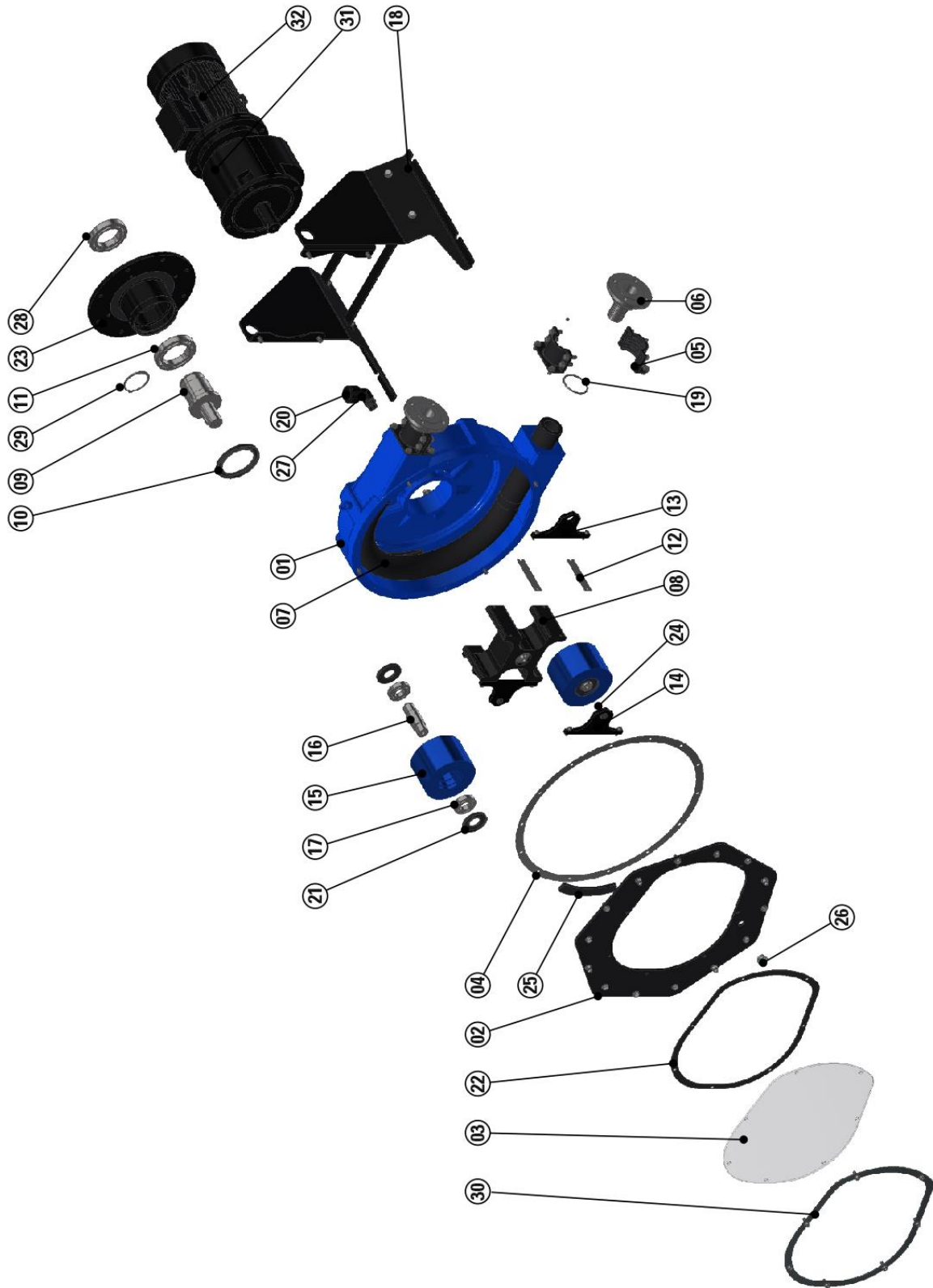
Problem	Possible cause	Solution
Increased pump temperature	Pump hose has no lubricant	Lubricate pump hose
	Increased product temperature	Reduce product temperature
	Insufficient or poor suction conditions	Check suction line for blockages
	Pump speed too high	Reduce pump speed
Reduced flow or pressure	Valves on discharge and or suction side completely or partially closed.	Open valves
	Pump hose insufficiently compressed	Check number of shims
	Pump hose break (the product leaks out into the housing)	Exchange pump hose
	Partial blockage of the suction line	Clean pipe
	Insufficient product quantity in storage container	Fill storage container or exchange pump
	Insufficient diameter on the suction side	Increase the diameter on the suction side, as far as possible
	Suction line too long	Shorten the suction line, as far as possible
	High viscosity of medium	Reduce viscosity, as far as possible
	Air introduction in the suction connections	Check connections and accessories for air tightness
High pulsation on suction	Tighten connections and accessories Mount antipulsation equipment Reconsider application (speed, etc)	
Vibrations on pumps and pipelines	The pipes are not correctly fastened	Fasten pipes correctly (e.g. wall brackets)
	Pump speed too high	Reduce pump speed
	Insufficient nominal diameter of the pipes	Increase nominal diameter
	Pump base plate loose	Fasten base plate
	Pulsation dampers insufficient or missing	Install pulsation dampers on suction and / or discharge side.
Short operational	Chemical exposure	Check the compatibility of the hose with the liquid being conveyed, the cleaning fluid and the lubricant

lifetime of the hoses	High pump speed	Reduce pump speed
	High conveying temperature	Reduce product temperature
	High operating pressure	Reduce operating pressure
	Pump cavitation	Check the suction conditions
	Abnormal elevation of temperature	Check rollers shaft mounting
	Unsuitable lubricant	Use original lubricant
	Insufficient level of lubricant	Add original lubricant
Pump hose pulled into the pump housing	High inlet pressure (> 3 bar)	Reduce inlet pressure
	Pump hose filled with solids	Clean or replace the pump hose
	Press flanges insufficiently tightened	Re-tighten press flanges
	Insufficient lubricant	Add original lubricant
The pump does not start up	Insufficient motor performance	Check motor and replace if necessary
	Insufficient output from frequency converter	The frequency converter must match the motor
	Blockage in the pump	Check if the suction or discharge side is blocked. Rectify blockage

## Specifications

	I43	I55
Max capacity (l/h)	7000	13000
Capacity per revolution (l/rev)	1,69	3,71
Max. working pressure (kPa)	1000	1000
Permissible ambient T <sup>a</sup> (°C)	-20 to 45	-20 to 45
Permissible product T <sup>a</sup> (°C)	-10 to 80	-10 to 80
Sound level at 1m (dB(A))	< 60	< 60

# Spare parts





Item	Reference	Description	Material
1	I43A010000	Pump casing PeriBest I43	Cast Iron
2	I43A020000	Front cover PeriBest I43	Steel
3	I43A030000	Plexyglass window PeriBest I43	Polycarbonate UV
4	I43A040000	Gasket front cover PeriBest I43	NBR
5	I43A050000	Hose clamp PeriBest I43	Cast Iron
6	I43A060000	Connection S.S. DIN Flange DN-40 PeriBest I43	S.S. AISI-316
	I43A061000	Connection PP DIN Flange DN-40 PeriBest I43	Polypropylene
	I43A062000	Connection PVDF DIN Flange DN-40 PeriBest I43	PVDF
	I43A063000	Connection S.S. DIN 11851 DN-40 PeriBest I43	S.S. AISI-316
	I43A064000	Connection S.S. TRI-CLAMP 2" PeriBest I43	S.S. AISI-316
7	I43A0760000	Hose NR PeriBest I43	NR
	I43A071000	Hose NBR PeriBest I43	NBR
	I43A072000	Hose EPDM PeriBest I43	EPDM
8	I43A080000	Rotor PeriBest I43	Iron
9	I43A090000	Shaft PeriBest I43	Steel
10	I43A100000	Lip seal shaft PeriBest I43	NBR
11	I43A110000	Ball bearing shaft (front) PeriBest I43	Steel + NBR
12	I43A120000	Shim 0,5mm PeriBest I43	S.S. AISI-304
13	I43A130000	Rear roller support PeriBest I43	Steel
14	I43A140000	Front roller support PeriBest I43	Steel
15	I43A150000	Roller PeriBest I43	Aluminium
16	I43A160000	Roller shaft PeriBest I43	Steel
17	I43A170000	Ball bearing roller PeriBest I43	Steel + NBR
18	CI4306A0	Base plate assembly painted steel PeriBest I43	Steel
	CI4306A1	Base plate assembly Stainless Steel PeriBest I43	S.S. AISI-304
19	I43A190000	O-Ring Hose PeriBest I43	NBR
20	I43A200000	Air breather PeriBest I43	PVC
21	I43A210000	Lip seal roller PeriBest I43	NBR
22	I43A220000	Gasket plexyglass window PeriBest I43	NBR
23	I43A230000	Bearing Hub	Cast Iron
24	I43A240000	Shoulder screw Roller PeriBest I43	Hardened Steel
25	I43A250000	Hose position rubber PeriBest I43	Rubber
26	I43A260000	Oil level cap PeriBest I43	Plastic
27	I43A270000	Elbow breather peribest I43	PVC
28	I43A111000	Ball bearing shaft (rear) PeriBest I43	Steel + NBR
29	I43A290000	Seeger ring PeriBest I43	Steel
30	I43A300000	Plastic cover support PeriBest I43	Steel
31		Co-axial gear reducer PeriBest I43	Cast Iron
32		Motor PeriBest I43	

Item	Reference	Description	Material
1	I55A010000	Pump casing PeriBest I55	Cast Iron
2	I55A020000	Front cover PeriBest I55	Steel
3	I55A030000	Plexyglass window PeriBest I55	Polycarbonate UV
4	I55A040000	Gasket front cover PeriBest I55	NBR
5	I55A050000	Hose clamp PeriBest I55	Cast Iron
6	I55A060000	Connection S.S. DIN Flange DN-50 PeriBest I55	S.S. AISI-316
	I55A061000	Connection PP DIN Flange DN-50 PeriBest I55	Polypropylene
	I55A062000	Connection PVDF DIN Flange DN-50 PeriBest I55	PVDF
	I55A063000	Connection S.S. DIN 11851 DN-50 PeriBest I55	S.S. AISI-316
	I55A064000	Connection S.S. TRI-CLAMP 2 1/2" PeriBest I55	S.S. AISI-316
7	I55A0760000	Hose NR PeriBest I55	NR
	I55A071000	Hose NBR PeriBest I55	NBR
	I55A072000	Hose EPDM PeriBest I55	EPDM
8	I55A080000	Rotor PeriBest I55	Iron
9	I55A090000	Shaft PeriBest I55	Steel
10	I55A100000	Lip seal shaft PeriBest I55	NBR
11	I55A110000	Ball bearing shaft (front) PeriBest I55	Steel + NBR
12	I55A120000	Shim 0,5mm PeriBest I55	S.S. AISI-304
13	I55A130000	Rear roller support PeriBest I55	Steel
14	I55A140000	Front roller support PeriBest I55	Steel
15	I55A150000	Roller PeriBest I55	Aluminium
16	I55A160000	Roller shaft PeriBest I55	Steel
17	I55A170000	Ball bearing roller PeriBest I55	Steel + NBR
18	CI5506A0	Base plate assembly painted steel PeriBest I55	Steel
	CI5506A1	Base plate assembly Stainless Steel PeriBest I55	S.S. AISI-304
19	I55A190000	O-Ring Hose PeriBest I55	NBR
20	I43A200000	Air breather PeriBest I55	PVC
21	I55A210000	Lip seal roller PeriBest I55	NBR
22	I55A220000	Gasket plexyglass window PeriBest I55	NBR
23	I55A230000	Bearing Hub	Cast Iron
24	I55A240000	Shoulder screw Roller PeriBest I55	Hardened Steel
25	I55A250000	Hose position rubber PeriBest I55	Rubber
26	I43A260000	Oil level cap PeriBest I55	Plastic
27	I43A270000	Elbow breather peribest I55	PVC
28	I55A111000	Ball bearing shaft (rear) PeriBest I55	Steel + NBR
29	I55A290000	Seeger ring PeriBest I55	Steel
30	I55A300000	Plastic cover support PeriBest I55	Steel
31		Co-axial gear reducer PeriBest I55	Cast Iron
32		Motor PeriBest I55	

## EC Declaration

### “CE” DECLARATION OF CONFORMITY

## PERIBEST PUMPS S.L.

Via Alemany 11 1A - 07003 Palma de Mallorca (SPAIN)

Company responsible for manufacturing and commercializing the below specified machine:

### PERISTALTIC PUMP

**Industrial range models: I12, I17, I21, I28, I35, I43, I55**

**Declare under our sole responsibility:**

Its conformity in accordance with all applicable provisions of the Machinery Directive (2006/42/EC), Low Voltage Directive (2014/35/EU), Electromagnetic Compatibility and Repealing Directive (2014/30/EU), national applicable regulations, and with the provisions of the following standards applied:

Reference Standard	Title of the harmonized standard	Publication date
EN-ISO-12100	Safety of machinery - General principles for design - Risk assessment and risk reduction.	2012
EN-614-1	Safety of machinery - Ergonomic design principles- Part 1: Terminology and general principles.	2006+A1/2009
EN- ISO-14120	Safety of machinery-Guards- General requirements for the design and construction of fixed and movable guards.	2016
EN-60204-1	Safety of machinery-Electrical equipment of machines- Part 1:General requirements.	2007
EN-60335-1	Household and similar electrical appliances - Safety - Part 1: General requirements	2012/ A13:2017
EN-60034-1	Rotating electrical machines - Part 1: Rating and performance	2011
EN-809	Pumps and pump units for liquids - Common safety requirements.	1999+A1/2010
EN-ISO-14847	Rotary positive displacement pumps- Technical requirements.	1999

This declaration refers only to machines in the state of the market, with exclusion of the elements added and / or operations carried out subsequently by the end user.

The pump should not be put into service until the final machinery into which it is to be incorporated has been declared in conformity with the provisions of Directive 2006/42/EC.



David Gil

Managing Director

Palma de Mallorca, October 2018