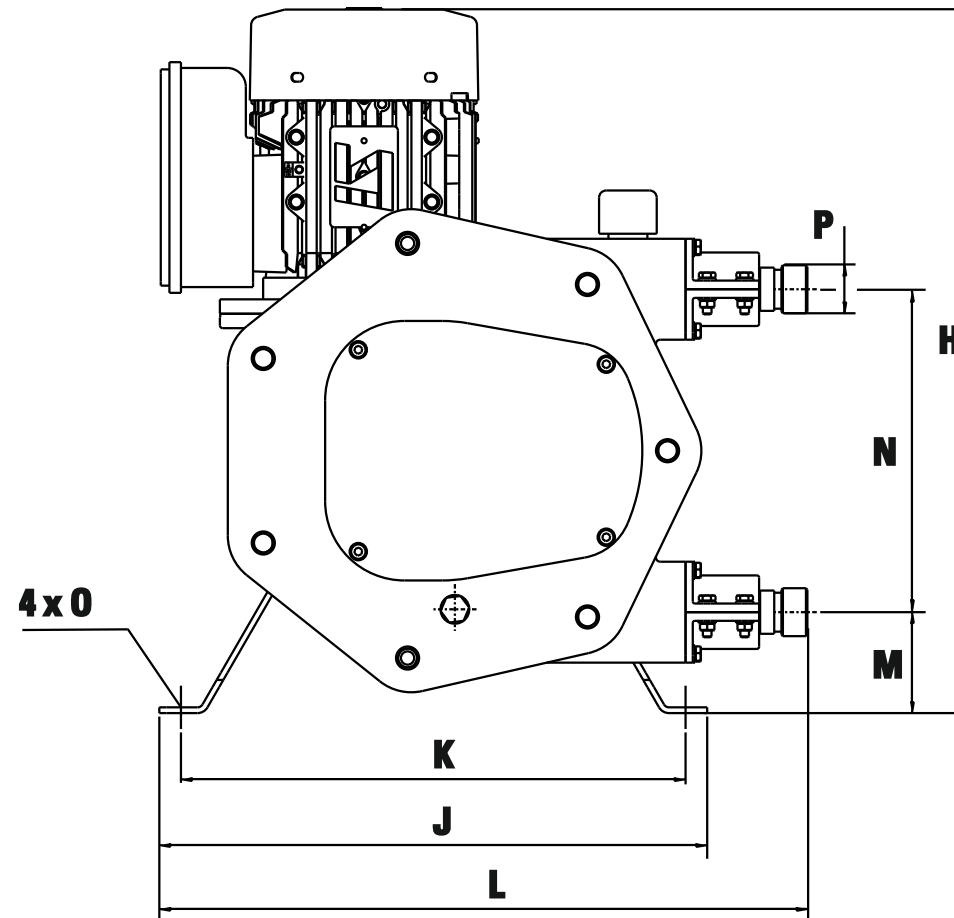
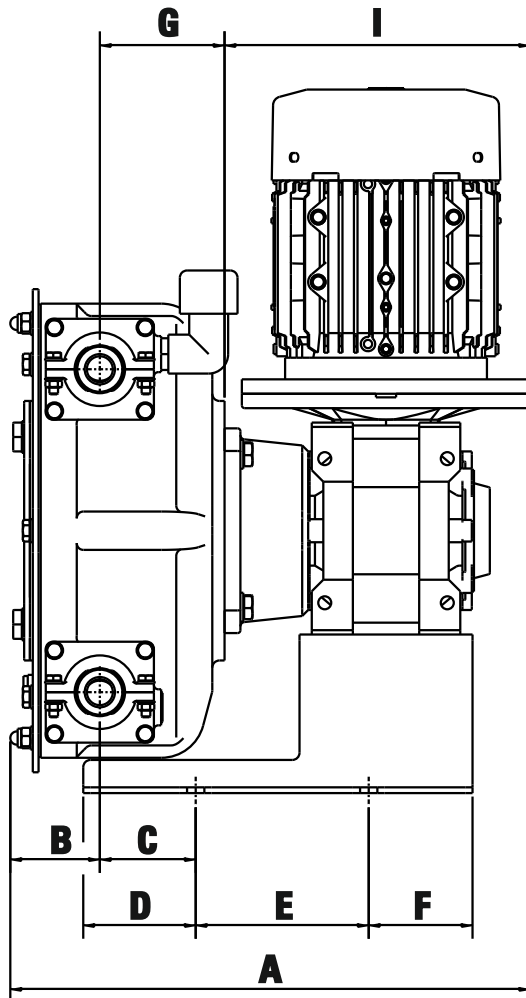


PERIBEST 12

DIMENSIONAL DRAWING



| | |
|----|----------|
| A* | 240,3 |
| B | 47,5 |
| C | 50 |
| D | 54,3 |
| E | 80 |
| F | 32,8 |
| G | 55,8 |
| H* | 367 |
| I* | 137 |
| J | 265 |
| K | 235 |
| L | 305 |
| M | 62 |
| N | 116 |
| O | 12 |
| P | BSP 3/8" |

*DEPENDING ON THE DRIVER, DIMENSIONS COULD CHANGE