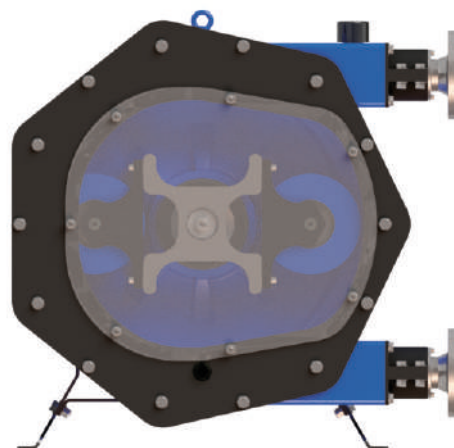


# PERIBEST 155 DATASHEET

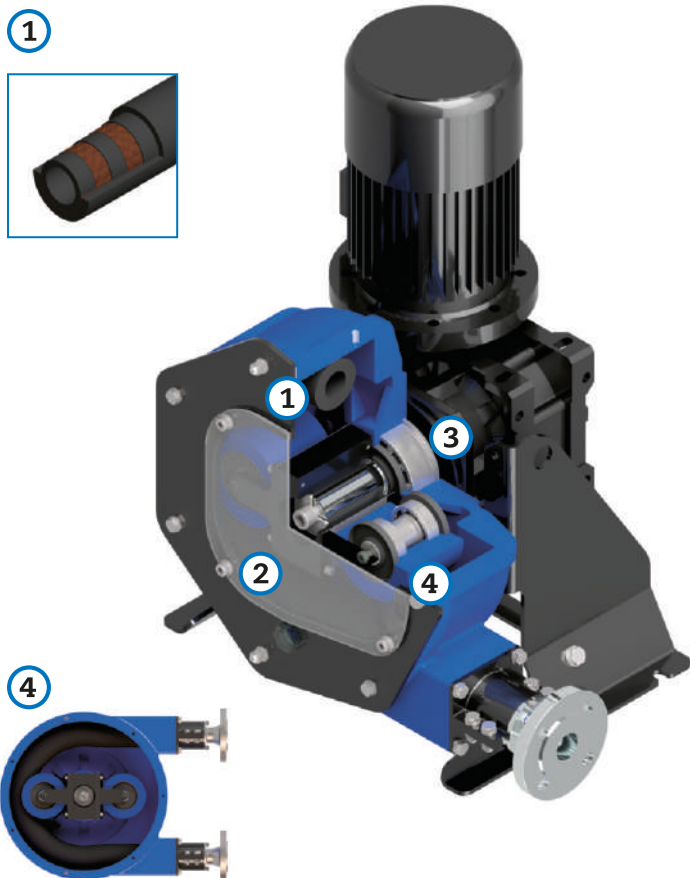
PERIBEST  
pumps



TECHNICAL SPECIFICATIONS	MODEL 155
Max. Flow (continuous)	13300 l/h
Capacity	3,71 l/rev
Max. Discharge Pressure	10 bar
Max. Temperature	80 °C
Inner Diameter	55 mm.
Hose material	NR, EPDM and NBR (Food Grade)
Connections material	AISI-316, PP, PVDF (PTFE)
Pump casing material	Cast Iron (powder coated)
Rollers material	Hard alluminium (Anodized)



## MAIN FEATURES AND BENEFITS



### 1 LATEST TECHNOLOGY PERISTALTIC HOSE.

SAVING ON HOSE CONSUMPTION AND EASE OF INSTALLATION DOWNTIME OPTIMISATION.

### 2 EASE OF ASSEMBLY, OPERATION AND MAINTENANCE.

SAVING ON MAINTENANCE COSTS AND EASE OF ASSEMBLY. LESS DOWNTIME.

### 3 EXTREMELY HEAVY DUTY DESIGN FOR THE MOST DEMANDING APPLICATIONS UP TO 10 BAR.

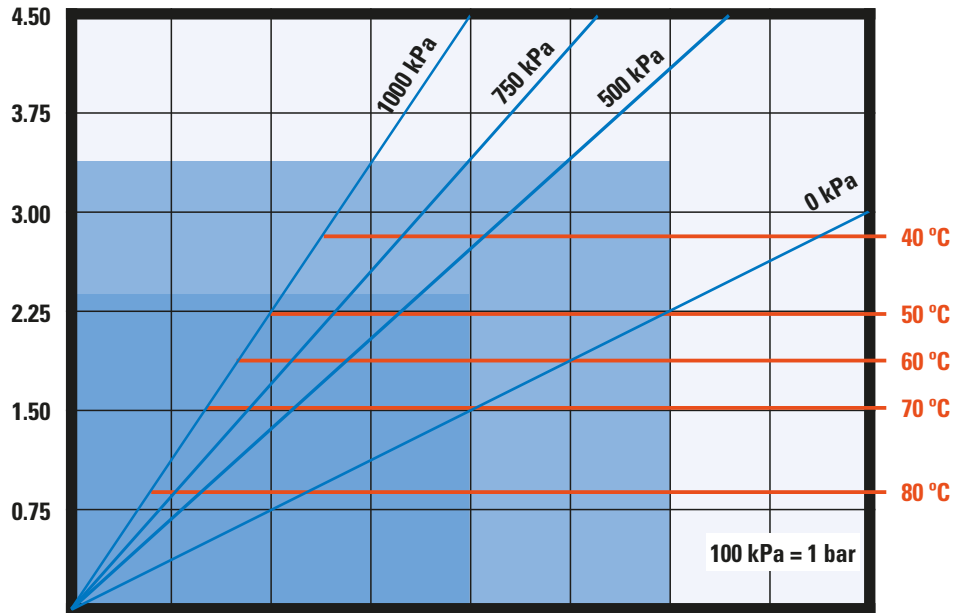
UNMATCHED PUMP LIFE AND EXCELLENT EQUIPMENT PERFORMANCE UNDER ANY OPERATING CONDITIONS HOWEVER DEMANDING.

### 4 XXL ROLLER TECHNOLOGY.

MAJOR ENERGY SAVINGS, HIGHER NUMBER OF HOSE WORKING HOURS AND EASE OF OPERATION.

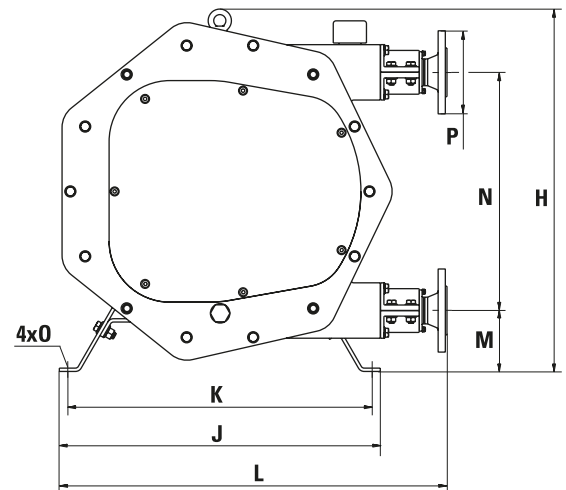
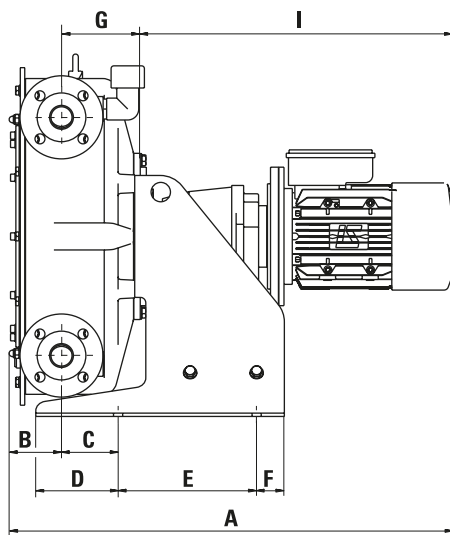
**REQUIRED  
MOTOR POWER (KW)**

**PRODUCT  
TEMPERATURE (°C)**



<b>PUMP SPEED (RPM)</b>	10	20	30	40	50	60	70	80
<b>CAPACITY (M3/H)</b>	2,2	4,5	6,7	8,9	11,1	13,3	15,6	17,8

<b>PRESSURE (kPa)</b>	0 kPa	500 kPa	750 kPa	1000 kPa
<b>TORQUE (Nm)</b>	360	650	810	1050



MODEL	A*	B	C	D	E	F	G	H	I*	J	K	L	M	N	O	P
<b>I55</b>	947,1	107	95	129	380	39,5	156,5	820	684	690	660	820	143	554	16	DN-50

\*Depending on the driver, dimensions could change.