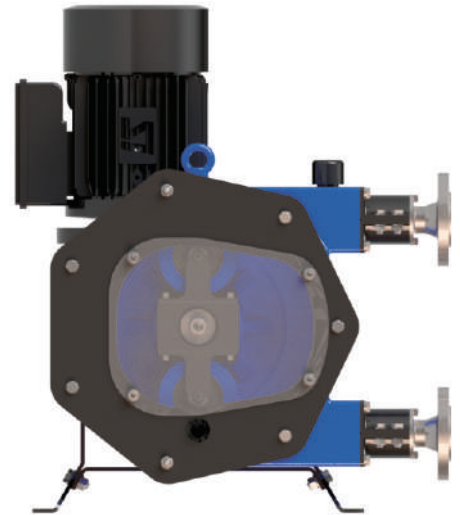


PERIBEST I35 DATASHEET

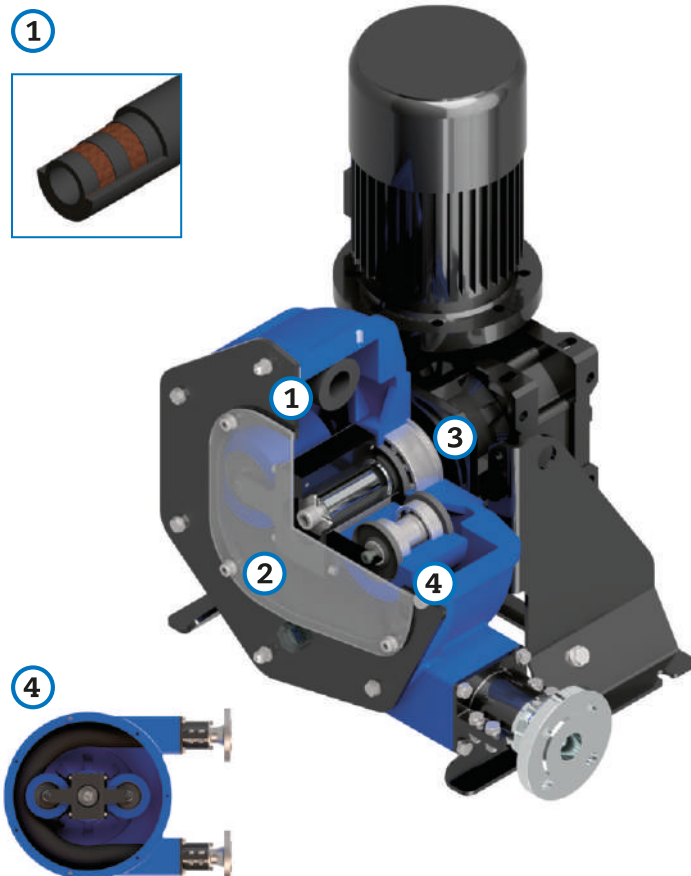
PERIBEST
pumps



TECHNICAL SPECIFICATIONS	MODEL I35
Max. Flow (continuous)	3600 l/h
Capacity	0,89 l/rev
Max. Discharge Pressure	10 bar
Max. Temperature	80 °C
Inner Diameter	35 mm.
Hose material	NR, EPDM and NBR (Food Grade)
Connections material	AISI-316, PP, PVDF (PTFE)
Pump casing material	Cast Iron (powder coated)
Rollers material	Hard aluminium (Anodized)



MAIN FEATURES AND BENEFITS



1 LATEST TECHNOLOGY PERISTALTIC HOSE.

SAVING ON HOSE CONSUMPTION AND EASE OF INSTALLATION DOWNTIME OPTIMISATION.

2 EASE OF ASSEMBLY, OPERATION AND MAINTENANCE.

SAVING ON MAINTENANCE COSTS AND EASE OF ASSEMBLY. LESS DOWNTIME.

3 EXTREMELY HEAVY DUTY DESIGN FOR THE MOST DEMANDING APPLICATIONS UP TO 10 BAR.

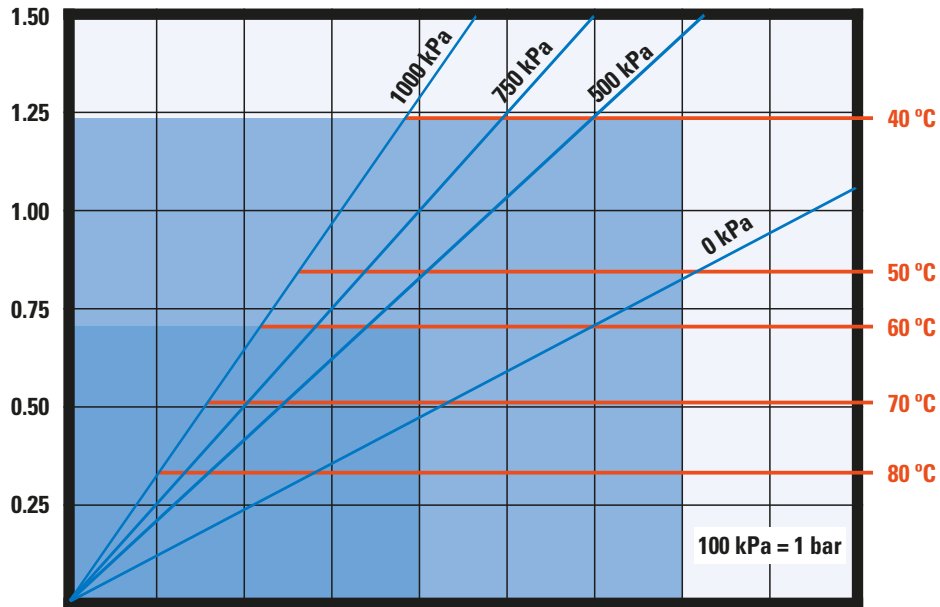
UNMATCHED PUMP LIFE AND EXCELLENT EQUIPMENT PERFORMANCE UNDER ANY OPERATING CONDITIONS HOWEVER DEMANDING.

4 XXL ROLLER TECHNOLOGY.

MAJOR ENERGY SAVINGS, HIGHER NUMBER OF HOSE WORKING HOURS AND EASE OF OPERATION.

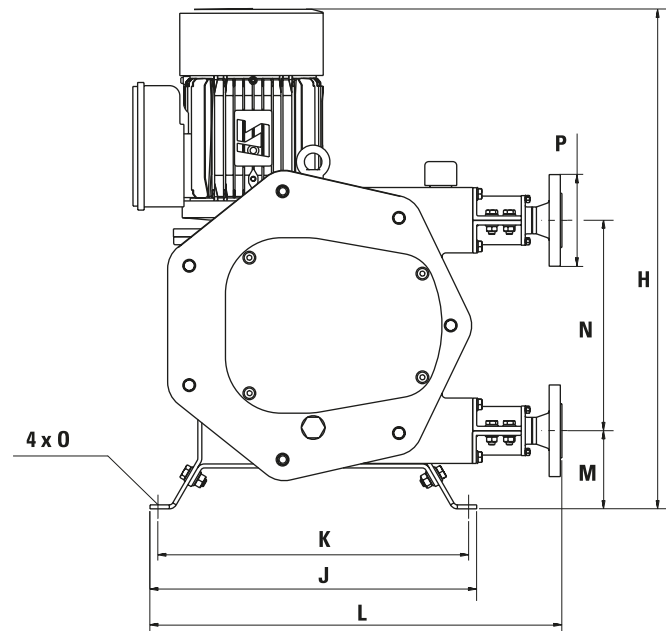
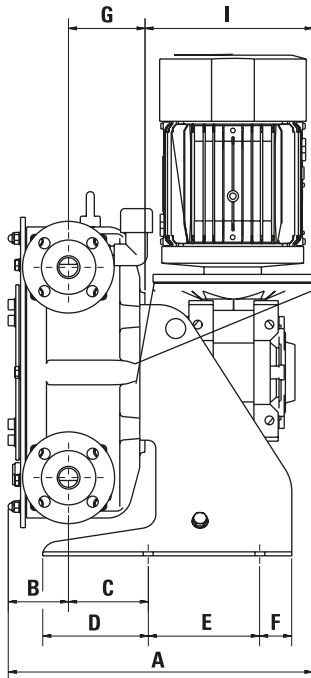
REQUIRED
MOTOR POWER (KW)

PRODUCT
TEMPERATURE (°C)



PUMP SPEED (RPM)	10	20	30	40	50	60	70	80	90
CAPACITY (L/H)	534	1068	1602	2136	2670	3204	3738	4272	4806

PRESSURE (kPa)	0 kPa	500 kPa	750 kPa	1000 kPa
TORQUE (Nm)	110	195	235	300



MODEL	A*	B	C	D	E	F	G	H	I*	J	K	L	M	N	O	P
I35	408,6	85,1	134,5	161,8	140	40	112,5	677	211	460	440	583	105	330	12	DN-32

*Depending on the driver, dimensions could change.