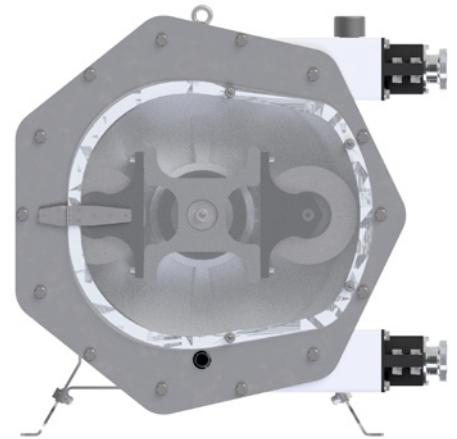


PERIBEST F55 DATASHEET

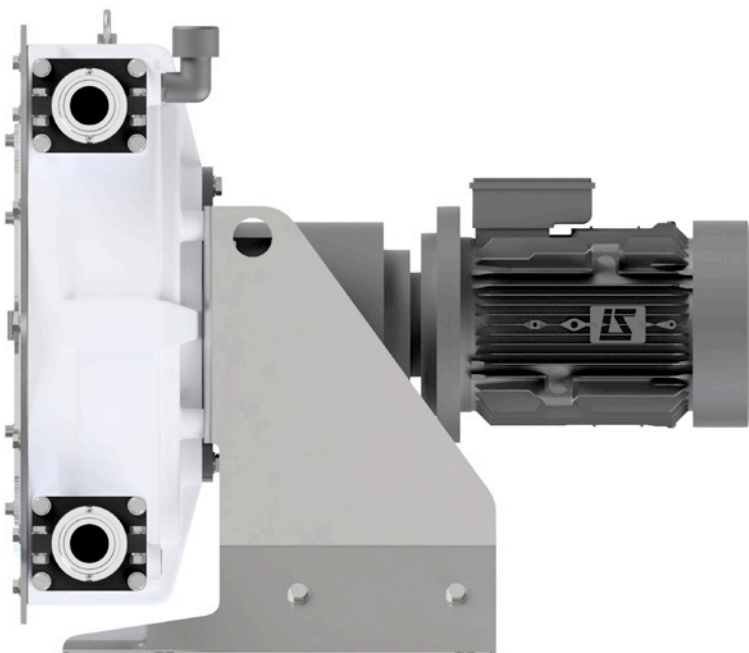
PERIBEST
pumps



TECHNICAL SPECIFICATIONS	MODEL F55
Max. Flow (continuous)	13000 l/h
Capacity	3,71 l/rev
Max. Discharge Pressure	10 bar
Max. Temperature	80 °C
Inner Diameter	55 mm.
Hose material	NBR Food grade (FDA)
Connections material	Stainless Steel AISI-316L
Connections type	DIN-11851, TRI-CLAMP
Pump casign material	Cast Iron (powder coated)



MAIN FEATURES AND BENEFITS



- 1 EASY AND QUICK TO REMOVE FRONT COVER AND ROLLER TO AID CIP CLEANING PROCESSES.

OPTIMISES DOWNTIMES, FACILITATES CLEANING PROCESSES AND IMPROVES EFFICIENCY.

- 2 FOOD GRADE APPEARANCE WITH STAINLESS STEEL FRONT COVER, BASE PLATE, WHITE PAINTED PUMP BODY AND SANITARY FITTINGS.

INCORPORATES THE NECESSARY MODIFICATIONS TO HAVE A COMPLETE SANITARY PUMP.

- 3 LATEST TECHNOLOGY PERISTALTIC HOSE.

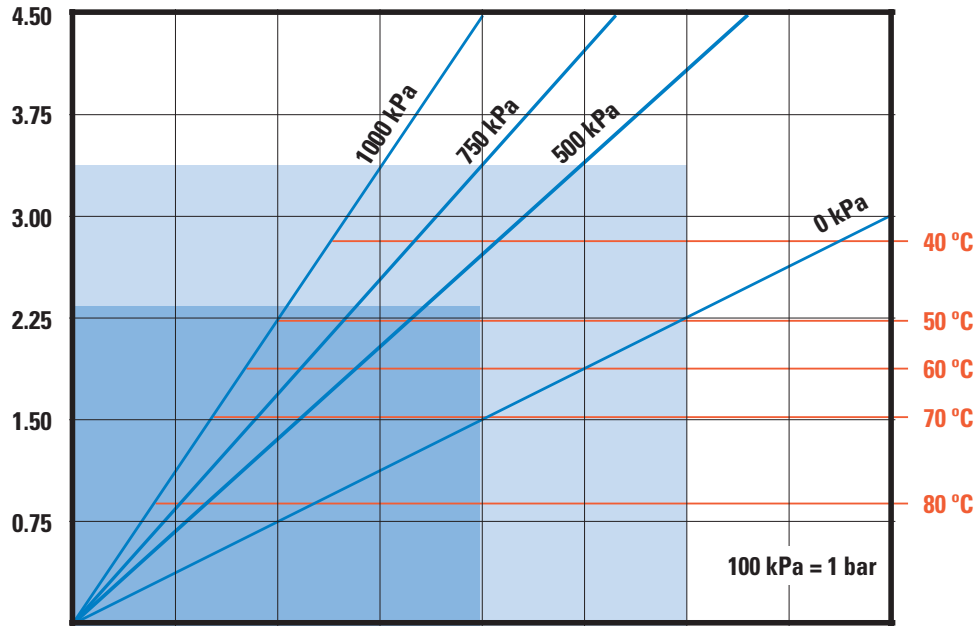
INNOVATE HOSE MANUFACTURING PROCESS PROVIDES EXTRA RESISTANCE AGAINST TEMPERATURE, LENGTHENS SERVICE LIFE AND REDUCES MAINTENANCE COSTS.

- 4 EXTREMELY HEAVY DUTY DESIGN FOR THE MOST DEMANDING APPLICATIONS UP TO 10 BAR.

UNMATCHED PUMP LIFE AND EXCELLENT EQUIPMENT PERFORMANCE UNDER ANY OPERATING CONDITIONS HOWEVER DEMANDING.

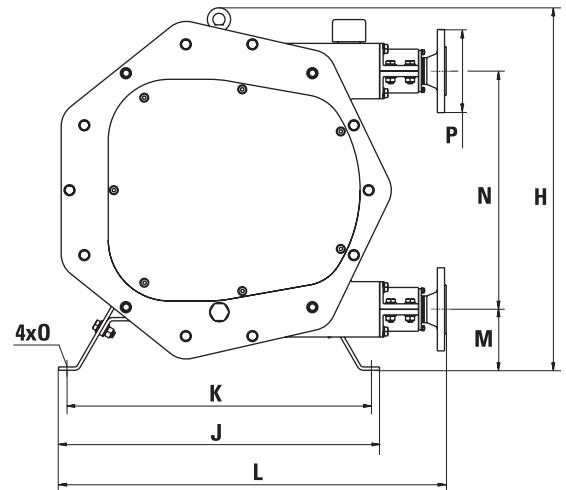
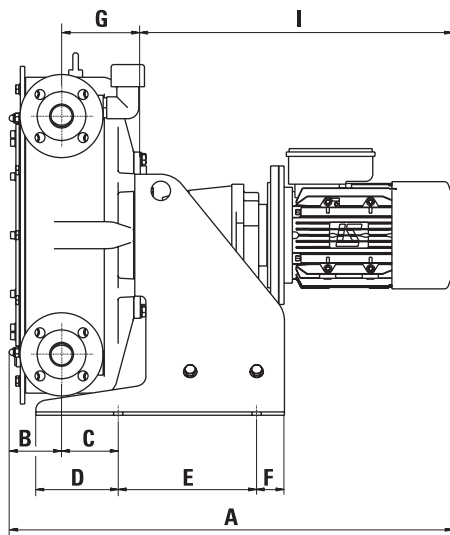
**REQUIRED
MOTOR POWER (KW)**

**PRODUCT
TEMPERATURE (°C)**



PUMP SPEED (RPM)	10	20	30	40	50	60	70	80
CAPACITY (M³/H)	2,2	4,5	6,7	8,9	11,1	13,3	15,6	17,8

PRESSURE (kPa)	0 kPa	500 kPa	750 kPa	1000 kPa
TORQUE (Nm)	360	650	810	1050



MODEL	A*	B	C	D	E	F	G	H	I*	J	K	L	M	N	O	P
F55	947,1	107	95	129	380	39,5	156,5	820	684	690	660	820	143	554	16	DIN-11851 DN50 • TRI-CLAMP 2 ½"

*Depending on the driver, dimensions could change.