

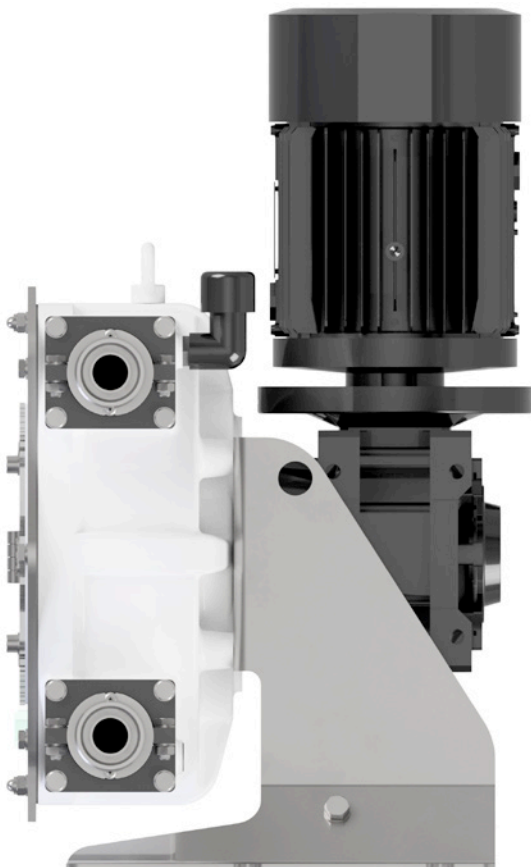
PERIBEST F35 DATASHEET



TECHNICAL SPECIFICATIONS	MODEL F35
Max. Flow (continuous)	3600 l/h
Capacity	0,89 l/rev
Max. Discharge Pressure	10 bar
Max. Temperature	80 °C
Inner Diameter	35 mm.
Hose material	NBR Food grade (FDA)
Connections material	Stainless Steel AISI-316L
Connections type	DIN-11851, TRI-CLAMP
Pump casign material	Cast Iron (powder coated)



MAIN FEATURES AND BENEFITS



- 1 EASY AND QUICK TO REMOVE FRONT COVER AND ROLLER TO AID CIP CLEANING PROCESSES.**

OPTIMISES DOWNTIMES, FACILITATES CLEANING PROCESSES AND IMPROVES EFFICIENCY.

- 2 FOOD GRADE APPEARANCE WITH STAINLESS STEEL FRONT COVER, BASE PLATE, WHITE PAINTED PUMP BODY AND SANITARY FITTINGS.**

INCORPORATES THE NECESSARY MODIFICATIONS TO HAVE A COMPLETE SANITARY PUMP.

- 3 LATEST TECHNOLOGY PERISTALTIC HOSE.**

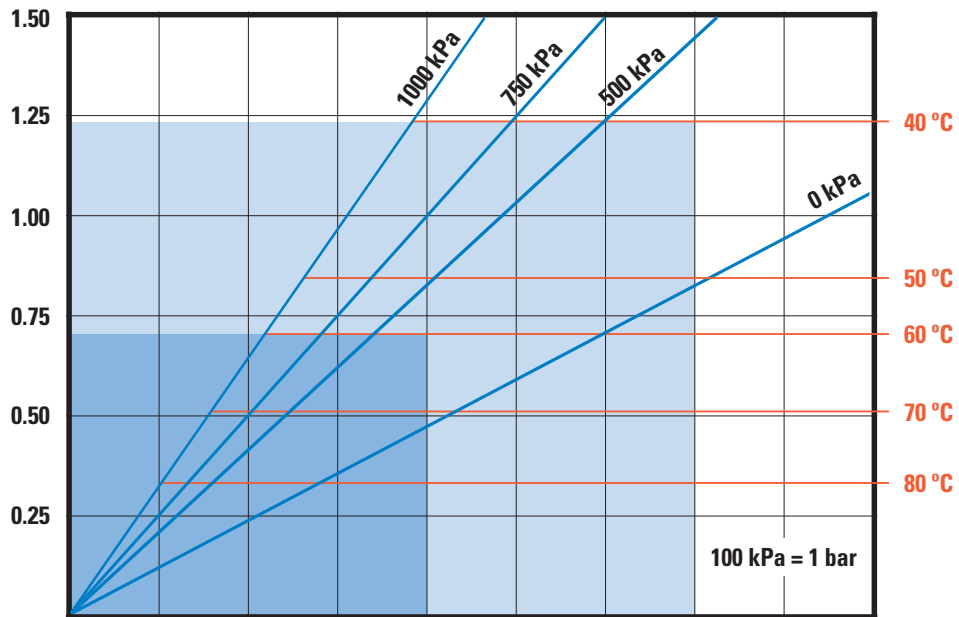
INNOVATE HOSE MANUFACTURING PROCESS PROVIDES EXTRA RESISTANCE AGAINST TEMPERATURE, LENGTHENS SERVICE LIFE AND REDUCES MAINTENANCE COSTS.

- 4 EXTREMELY HEAVY DUTY DESIGN FOR THE MOST DEMANDING APPLICATIONS UP TO 10 BAR.**

UNMATCHED PUMP LIFE AND EXCELLENT EQUIPMENT PERFORMANCE UNDER ANY OPERATING CONDITIONS HOWEVER DEMANDING.

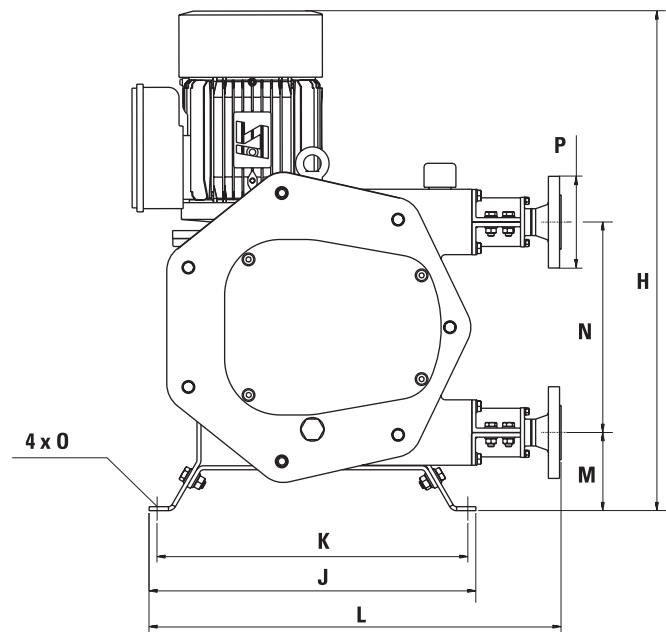
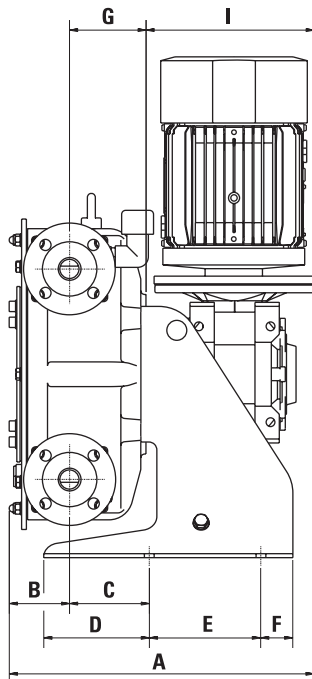
**REQUIRED
MOTOR POWER (KW)**

**PRODUCT
TEMPERATURE (°C)**



PUMP SPEED (RPM)	10	20	30	40	50	60	70	80	90
CAPACITY (L/H)	534	1068	1602	2136	2670	3204	3738	4272	4806

PRESSURE (kPa)	0 kPa	500 kPa	750 kPa	1000 kPa
TORQUE (Nm)	110	195	235	300



MODEL	A*	B	C	D	E	F	G	H	I*	J	K	L	M	N	O	P
F35	408,6	85,1	134,5	161,8	140	40	112,5	677	211	460	440	583	105	330	12	DIN-11851 DN32 • TRI-CLAMP 1 ½"

*Depending on the driver, dimensions could change.

www.peribest.com

Production Plant
PeriBest Pumps S.L.
 C/ Can Parellada, num. 26 Nave 10
 Pol. Ind. Sector H
 E-08170 Montornés del Vallés
Barcelona
 Tel. +34 935 992 214