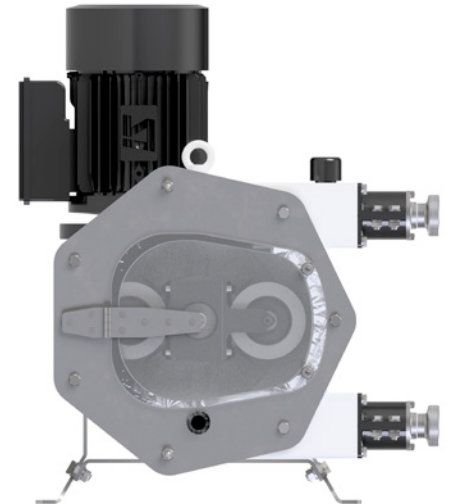


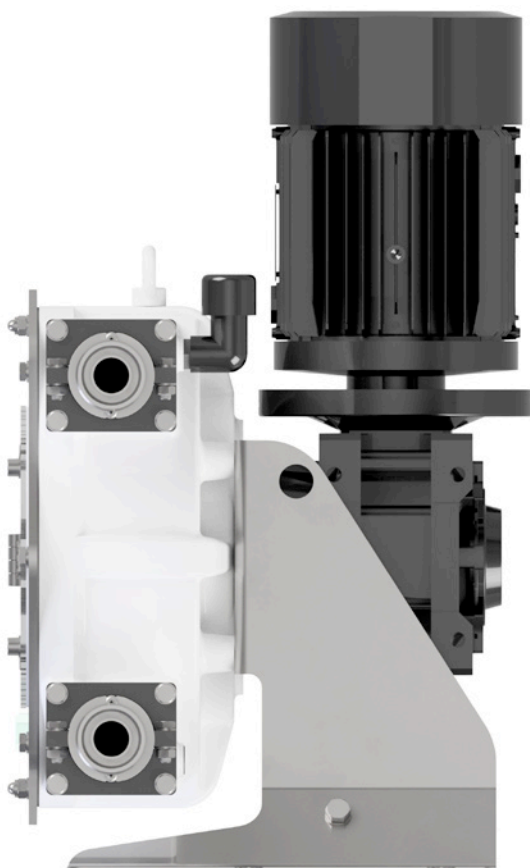
# PERIBEST F28 DATASHEET



TECHNICAL SPECIFICATIONS	MODEL F28
Max. Flow (continuous)	1900 l/h
Capacity	0,47 l/rev
Max. Discharge Pressure	10 bar
Max. Temperature	80 °C
Inner Diameter	28 mm.
Hose material	NBR Food grade (FDA)
Connections material	Stainless Steel AISI-316L
Connections type	DIN-11851, TRI-CLAMP
Pump casing material	Cast Iron (powder coated)



## MAIN FEATURES AND BENEFITS



- 1 EASY AND QUICK TO REMOVE FRONT COVER AND ROLLER TO AID CIP CLEANING PROCESSES.**

OPTIMISES DOWNTIMES, FACILITATES CLEANING PROCESSES AND IMPROVES EFFICIENCY.

- 2 FOOD GRADE APPEARANCE WITH STAINLESS STEEL FRONT COVER, BASE PLATE, WHITE PAINTED PUMP BODY AND SANITARY FITTINGS.**

INCORPORATES THE NECESSARY MODIFICATIONS TO HAVE A COMPLETE SANITARY PUMP.

- 3 LATEST TECHNOLOGY PERISTALTIC HOSE.**

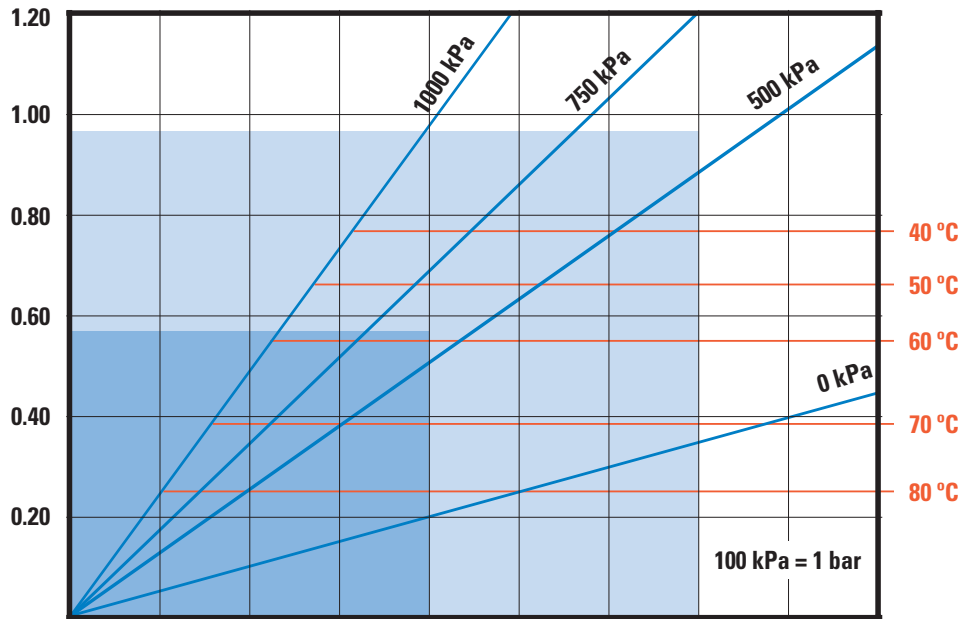
INNOVATE HOSE MANUFACTURING PROCESS PROVIDES EXTRA RESISTANCE AGAINST TEMPERATURE, LENGTHENS SERVICE LIFE AND REDUCES MAINTENANCE COSTS.

- 4 EXTREMELY HEAVY DUTY DESIGN FOR THE MOST DEMANDING APPLICATIONS UP TO 10 BAR.**

UNMATCHED PUMP LIFE AND EXCELLENT EQUIPMENT PERFORMANCE UNDER ANY OPERATING CONDITIONS HOWEVER DEMANDING.

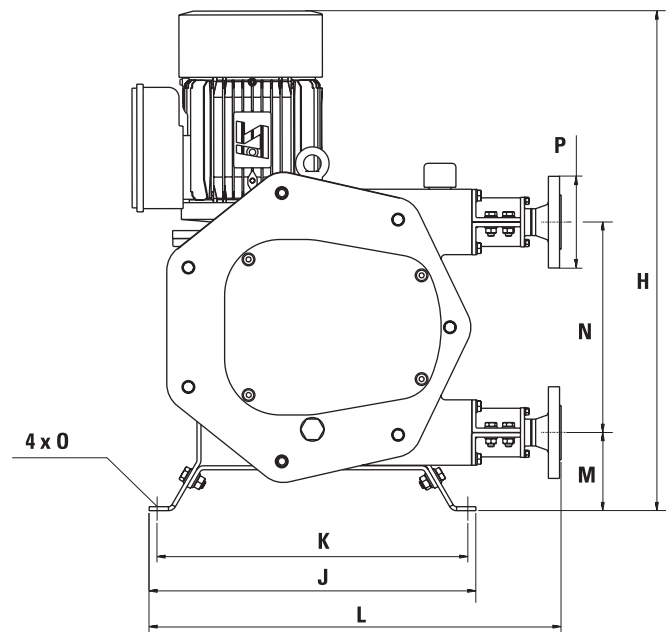
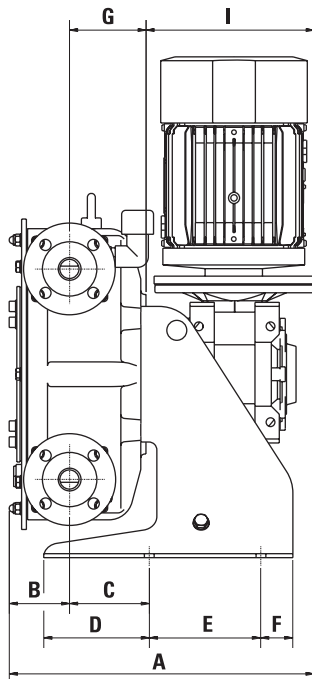
**REQUIRED  
MOTOR POWER (KW)**

**PRODUCT  
TEMPERATURE (°C)**



<b>PUMP SPEED (RPM)</b>	10	20	30	40	50	60	70	80	90
<b>CAPACITY (L/H)</b>	282	564	846	1128	1410	1692	1974	2256	2538

<b>PRESSURE (kPa)</b>	0 kPa	500 kPa	750 kPa	1000 kPa
<b>TORQUE (Nm)</b>	50	125	165	225



MODEL	A*	B	C	D	E	F	G	H	I*	J	K	L	M	N	O	P
F28	382,3	75,6	100	132,3	140	40	96	627	211	410	390	517	98	264	12	DIN-11851 DN25 • TRI-CLAMP 1 1/2"

\*Depending on the driver, dimensions could change.

[www.peribest.com](http://www.peribest.com)

Production Plant  
**PeriBest Pumps S.L.**  
 C/ Can Parellada, num. 26 Nave 10  
 Pol. Ind. Sector H  
 E-08170 Montornés del Vallés  
**Barcelona**  
 Tel. +34 935 992 214