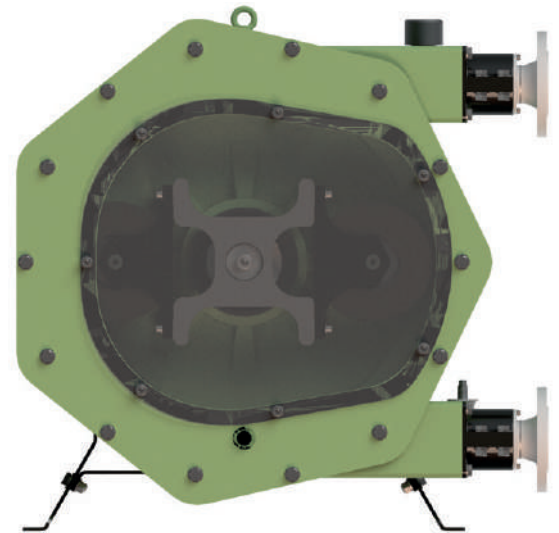
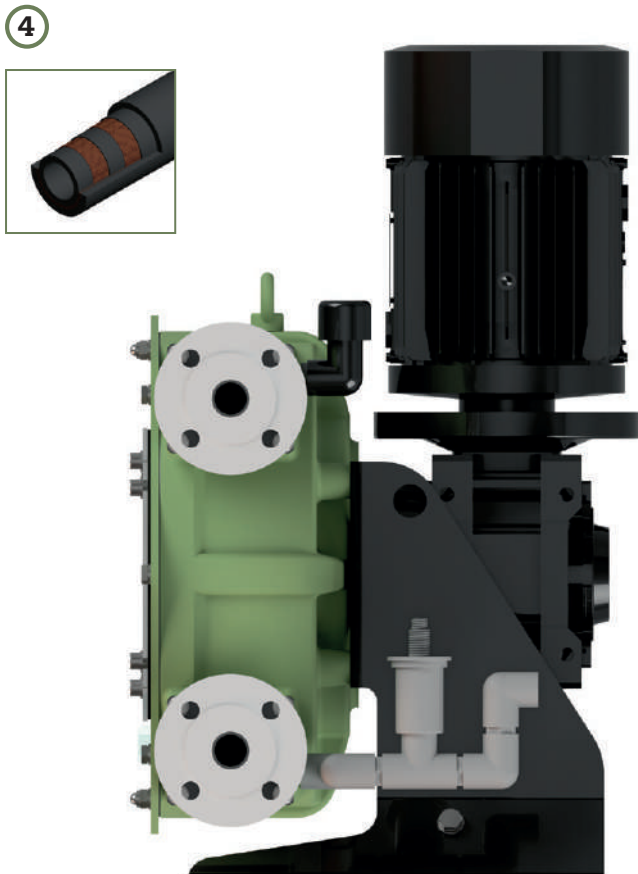


# PERIBEST C43 DATASHEET

TECHNICAL SPECIFICATIONS	MODEL C43
Max. Flow (continuous)	6500 l/h
Capacity	1,537 l/rev
Max. Discharge Pressure	10 bar
Max. Temperature	80 °C
Inner Diameter	43 mm.
Hose material	NR, EPDM
Connections material	AISI-316, PP, PVDF (PTFE)
Pump casing material	Alluminium Tefzel® coating



## MAIN FEATURES AND BENEFITS



- 1** THE BEST SOLUTION FOR DOSING AND TRANSFER ALL KIND OF ACIDS AND CORROSIVE PRODUCTS.

PUMP CASING AND FRONT COVER COATED IN TEFZEL® TOTALLY ANTICORROSIVE.

- 2** HOSE LEAKAGE SENSOR AND DRAINAGE SYSTEM INCLUDED.

FLOAT LEVEL SENSOR, AND DRAINAGE SYSTEM TO AVOID ANY ACCUMULATION OF CORROSIVE PRODUCTS INSIDE THE PUMP CASING.

- 3** EXTREMELY HEAVY DUTY DESIGN FOR THE MOST DEMANDING APPLICATIONS UP TO 10 BAR.

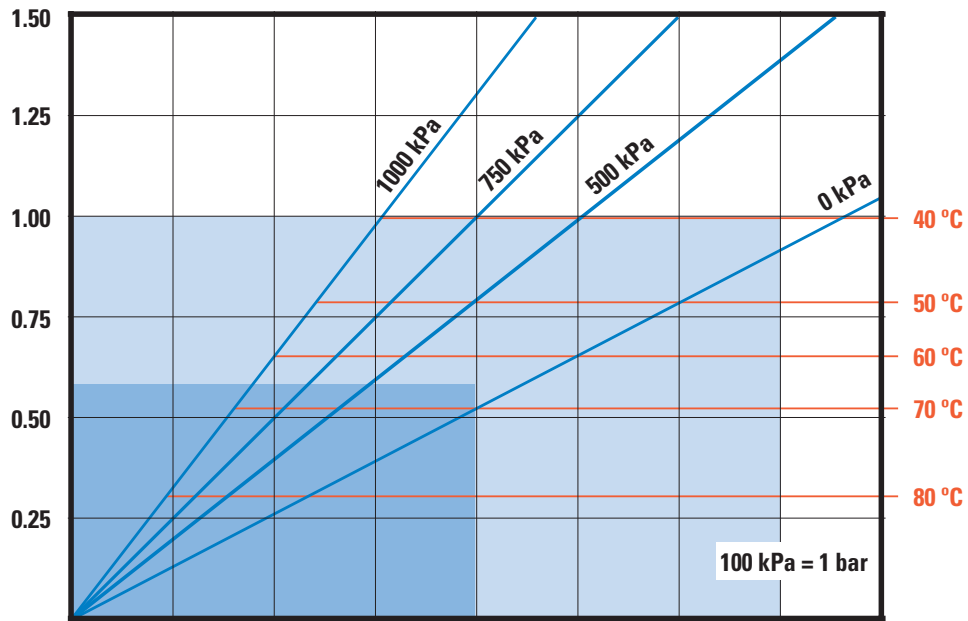
UNMATCHED PUMP LIFE AND EXCELLENT EQUIPMENT PERFORMANCE UNDER ANY OPERATING CONDITIONS HOWEVER DEMANDING.

- 4** LATEST TECHNOLOGY PERISTALTIC HOSE.

SAVING ON HOSE CONSUMPTION AND EASE OF INSTALLATION DOWNTIME OPTIMISATION.

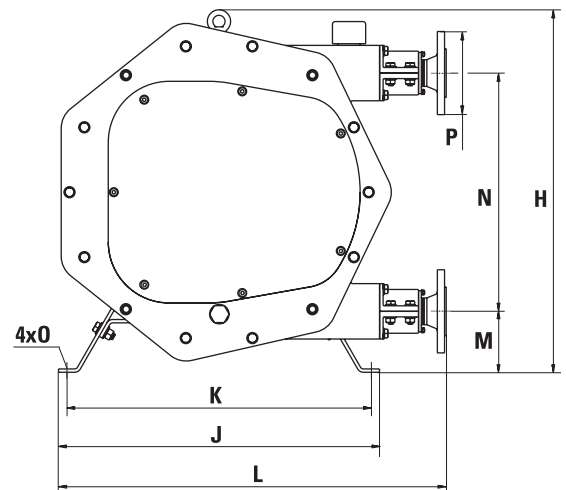
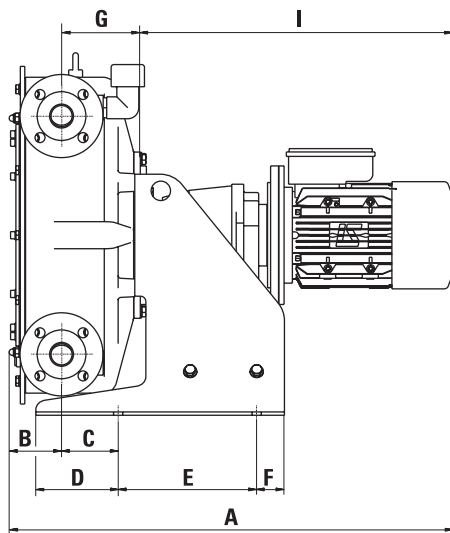
**REQUIRED  
MOTOR POWER (KW)**

**PRODUCT  
TEMPERATURE (°C)**



<b>PUMP SPEED (RPM)</b>	10	20	30	40	50	60	70	80
<b>CAPACITY (L/H)</b>	922	1844	2767	3689	4611	5533	6455	7378

<b>PRESSURE (kPa)</b>	0 kPa	500 kPa	750 kPa	1000 kPa
<b>TORQUE (Nm)</b>	125	190	240	310



MODEL	A*	B	C	D	E	F	G	H	I*	J	K	L	M	N	O	P
<b>C43</b>	800,6	96,6	102	148,5	250	50	142	655	564	580	550	700	110	430	16	DN-40

\*Depending on the driver, dimensions could change.