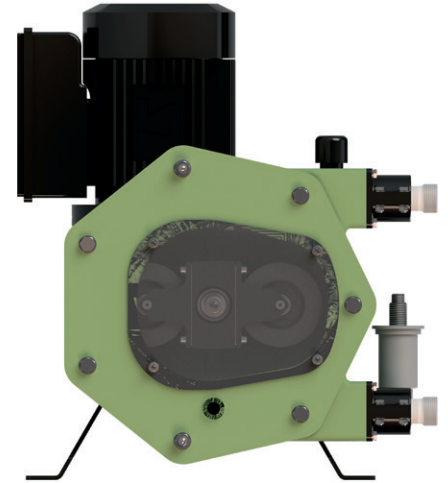
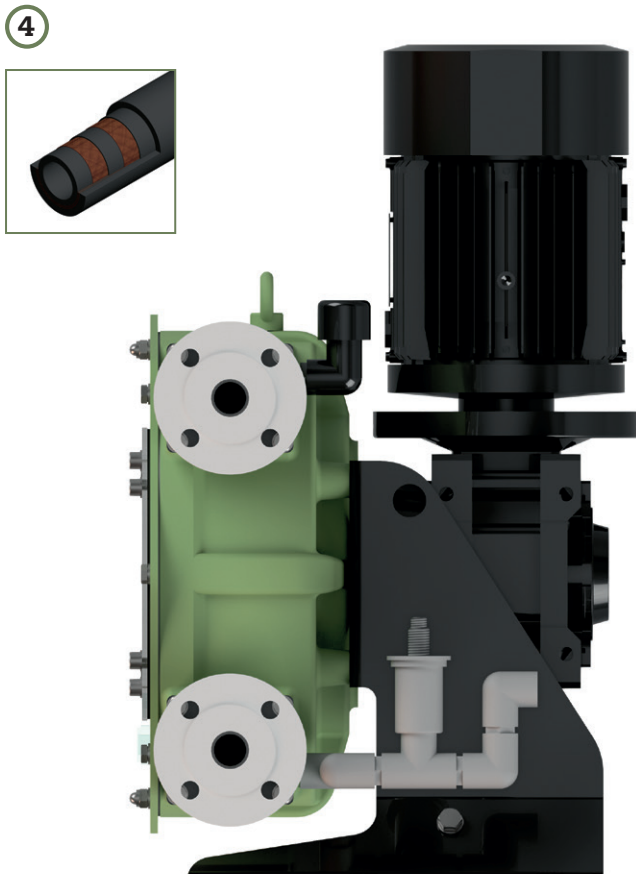


# PERIBEST C12 DATASHEET

| TECHNICAL SPECIFICATIONS | MODEL C12                  |
|--------------------------|----------------------------|
| Max. Flow (continuous)   | 180 l/h                    |
| Capacity                 | 0,037 l/rev                |
| Max. Discharge Pressure  | 10 bar                     |
| Max. Temperature         | 80 °C                      |
| Inner Diameter           | 13 mm.                     |
| Hose material            | NR, EPDM                   |
| Connections material     | AISI-316, PP, PVDF (PTFE)  |
| Pump casing material     | Alluminium Tefzel® coating |



## MAIN FEATURES AND BENEFITS



**1** THE BEST SOLUTION FOR DOSING AND TRANSFER ALL KIND OF ACIDS AND CORROSIVE PRODUCTS.

PUMP CASING AND FRONT COVER COATED IN TEFZEL® TOTALLY ANTICORROSIVE.

**2** HOSE LEAKAGE SENSOR AND DRAINAGE SYSTEM INCLUDED.

FLOAT LEVEL SENSOR, AND DRAINAGE SYSTEM TO AVOID ANY ACCUMULATION OF CORROSIVE PRODUCTS INSIDE THE PUMP CASING.

**3** EXTREMELY HEAVY DUTY DESIGN FOR THE MOST DEMANDING APPLICATIONS UP TO 10 BAR.

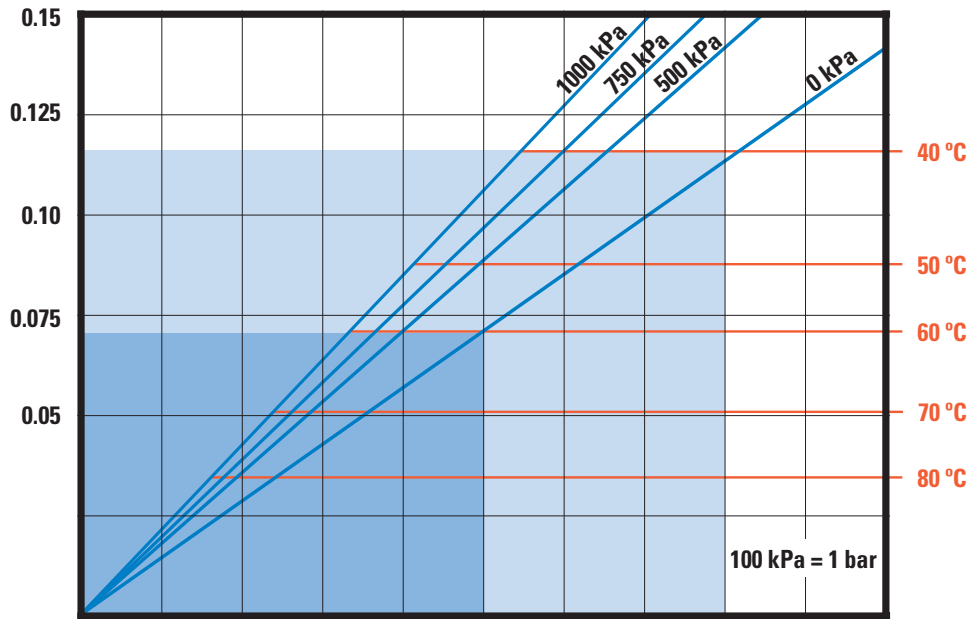
UNMATCHED PUMP LIFE AND EXCELLENT EQUIPMENT PERFORMANCE UNDER ANY OPERATING CONDITIONS HOWEVER DEMANDING.

**4** LATEST TECHNOLOGY PERISTALTIC HOSE.

SAVING ON HOSE CONSUMPTION AND EASE OF INSTALLATION DOWNTIME OPTIMISATION.

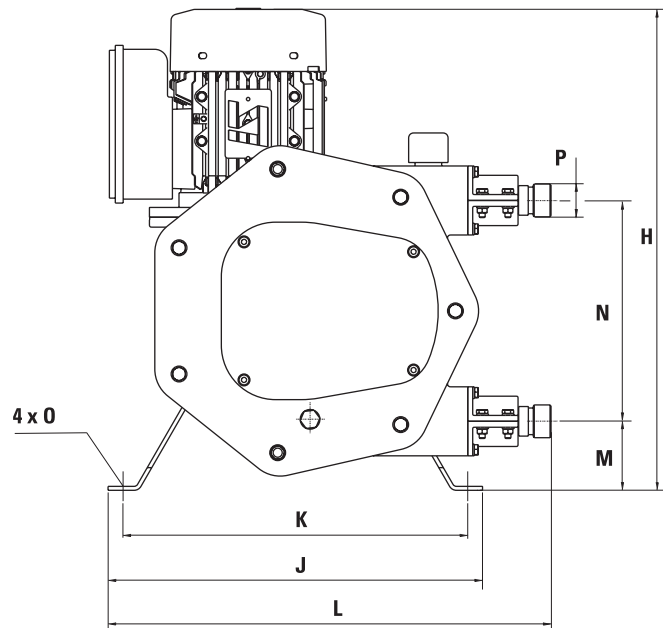
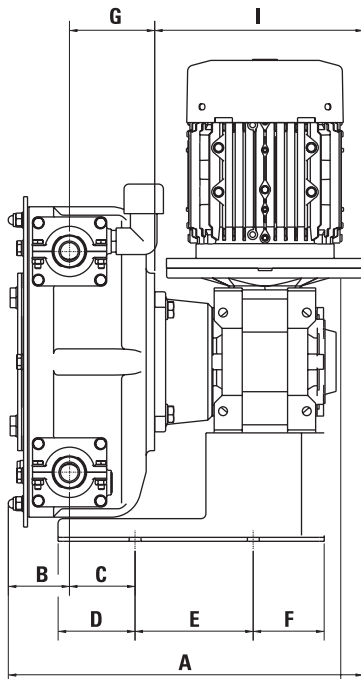
REQUIRED  
MOTOR POWER (KW)

PRODUCT  
TEMPERATURE (°C)



|                  |    |    |    |    |     |     |     |     |     |     |
|------------------|----|----|----|----|-----|-----|-----|-----|-----|-----|
| PUMP SPEED (RPM) | 10 | 20 | 30 | 40 | 50  | 60  | 70  | 80  | 90  | 100 |
| CAPACITY (L/H)   | 22 | 45 | 67 | 89 | 112 | 134 | 156 | 178 | 201 | 223 |

|                |       |         |         |          |
|----------------|-------|---------|---------|----------|
| PRESSURE (kPa) | 0 kPa | 500 kPa | 750 kPa | 1000 kPa |
| TORQUE (Nm)    | 14    | 17      | 19      | 21       |



| MODEL | A*    | B    | C  | D    | E  | F    | G    | H   | I*  | J   | K   | L   | M  | N   | O  | P        |
|-------|-------|------|----|------|----|------|------|-----|-----|-----|-----|-----|----|-----|----|----------|
| C12   | 240,3 | 47,5 | 50 | 54,3 | 80 | 32,8 | 55,8 | 367 | 137 | 265 | 235 | 305 | 62 | 116 | 12 | BSP 3/8" |

\*Depending on the driver, dimensions could change.